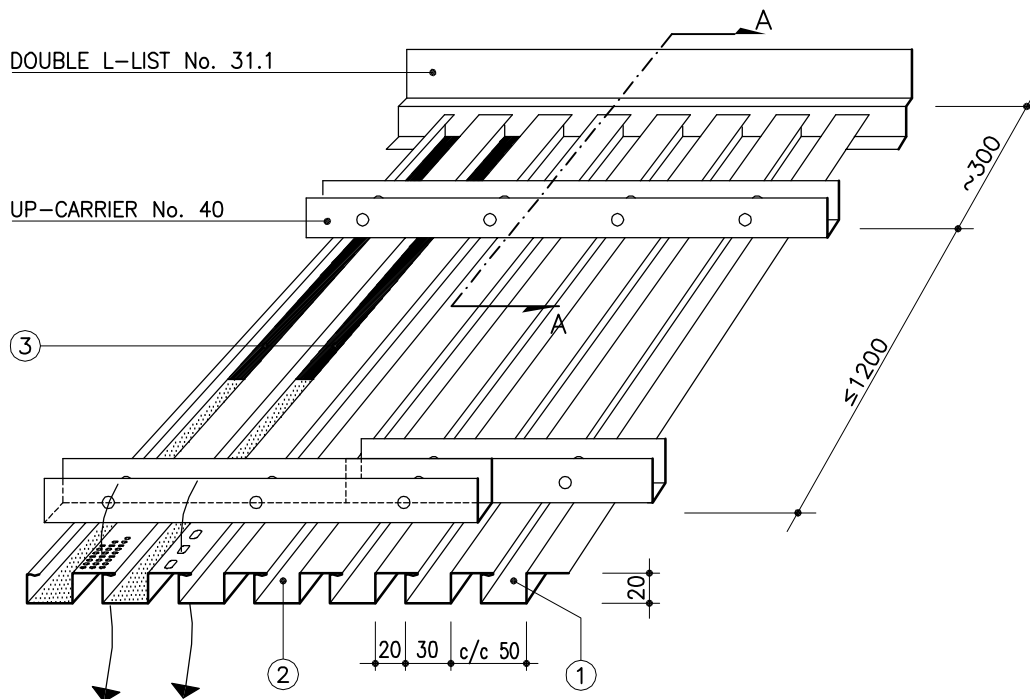


2.3 PANEL LAUTEX UP-50



VENTILATION HOLES ACCORDING TO ORDER
 $\varnothing 3.5 \text{ mm c/c } 6.3 \text{ mm} = 4616 \text{ mm}^2 / \text{rm}$
 $5 \times 7 \text{ mm c/c } 13.0 \text{ mm} = 2279 \text{ mm}^2 / \text{rm}$

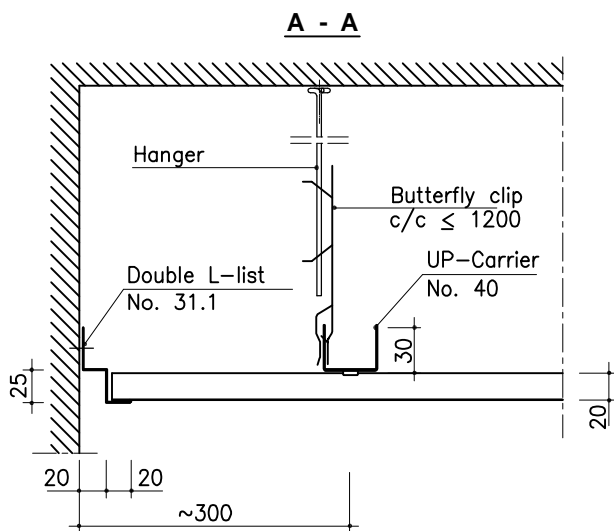
- ① = UP; unperforated and without inlay
- ② = UPR; bottom perforated
- ③ = UPRT; perforation on the bottom and acoustical inlay

STANDARD UP-50 PANELS

Material	0.4 Al
Width	50 mm
Height	20 mm
Length	1250–6500 mm
Perforation	$\varnothing 1.1 \text{ mm}$
Inlay	acoustical felt when colour LTX-101 white
Finish	stove enamelled

OTHER ALTERNATIVES

Material	0.7 Al, 0.5 mm Fe
Length	< 1250 mm
Perforation	$\varnothing 2.0$ and 3.5 mm
Inlay	wool in plastic
Finish	high gloss anodized (Al)
Other special solutions	please contact our technical information department



STRUCTURAL DETAILS SEE LEAFLET 6.1

All products are subject to modifications without prior notice.
2001



OY LAUTEX AB

P.O. Box 58 FIN-03101 Nummela Finland
 Tel +358 (0)9 224 8810 Fax +358 (0)9 222 5447
 E-mail: sales@lautex.com www.lautex.com

