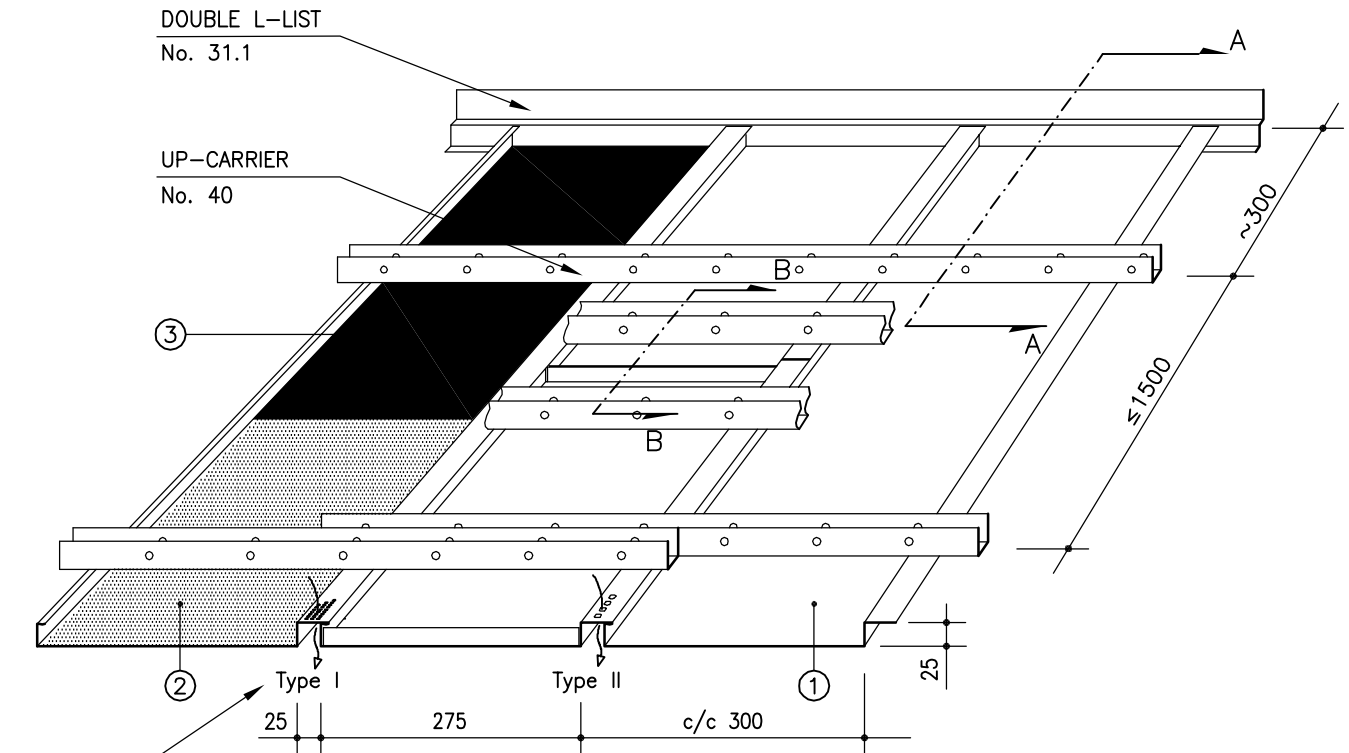


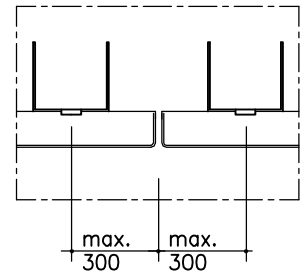
2.5.2 PANEL LAUTEX UP-300



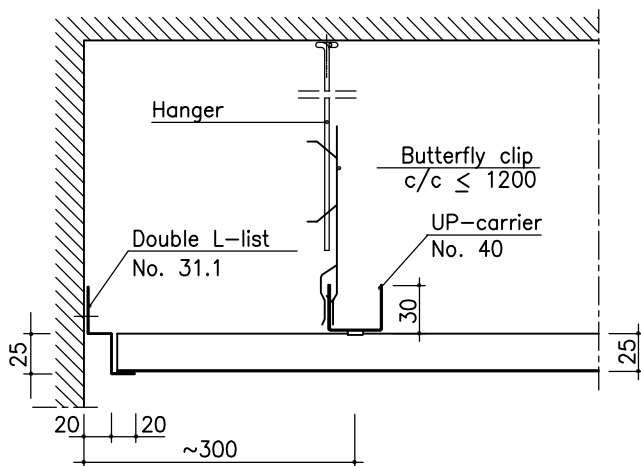
Ventilation perforation (according to order)
 Type I, $\phi 3.5$ mm, c/c 6.25 mm = 4616 mm²/m
 Type II, 5x7 mm, c/c 13 mm = 2279 mm²/m

- ① = UP; unperforated
 ② = UPR; perforated without acoustic inlay
 ③ = UPRT; perforated and acoustic inlay
 when colour is LTX-101 standard white,
 *) other colours with mineral wool in plastic

B - B
 End bendings
 as standard



A - A



STANDARD UP-PANEL

Material	0.7 mm Al
Width	300 mm
Height	25 mm
Length	1250-6500 mm
Perforation	$\phi 2.0$ mm
Inlay	acoustic felt
Finish	*) mineral wool in plastic stove enamelled

OTHER ALTERNATIVES

Material	0.6 mm Fe
Length	<1250 mm
Perforation	$\phi 3.5$ mm (see leaflet 6.2)
Inlay	mineral wool in plastic
Finish	e.g. high gloss anodized (Al)
Other special solutions	Please contact our technical information department

STRUCTURAL DETAILS SEE LEAFLET 6.1

All products are subject to modifications without prior notice.
 2001



OY LAUTEX AB

P.O. Box 58 FIN-03101 Nummela Finland
 Tel +358 (0)9 224 8810 Fax +358 (0)9 222 5447
 E-mail: sales@lautex.com www.lautex.com

