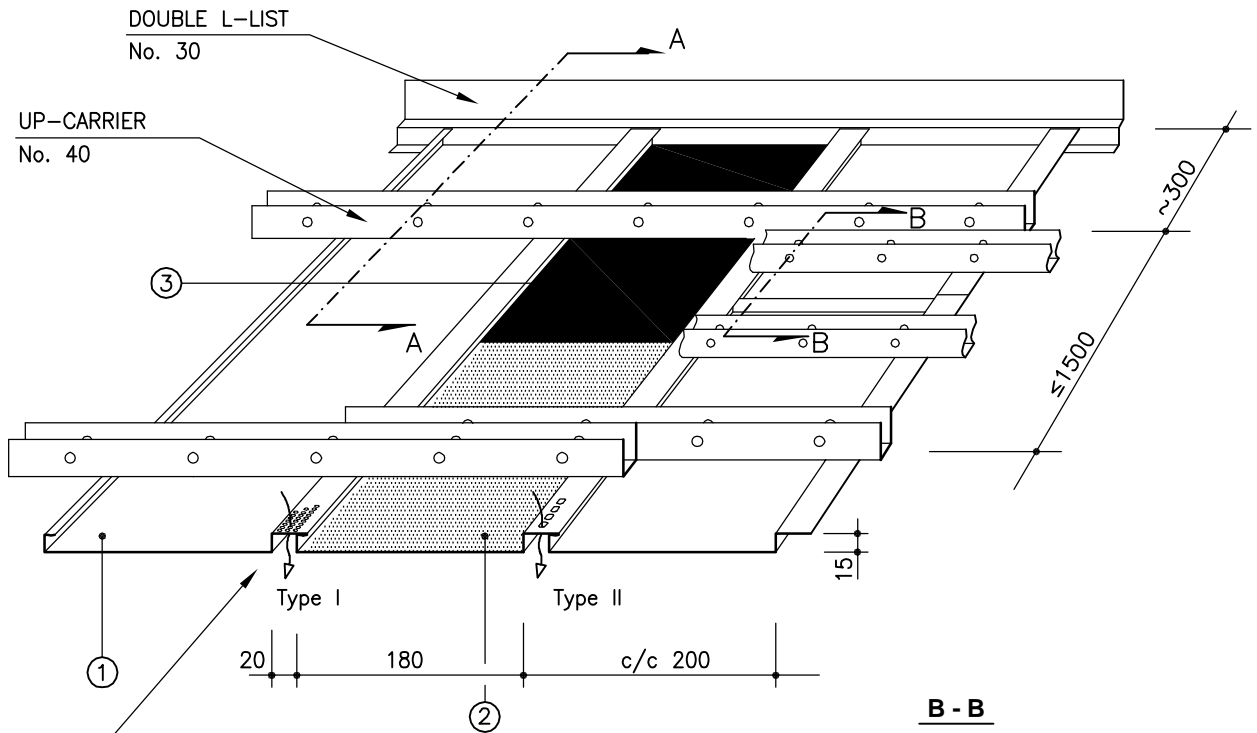


## 2.5.1 PANEL LAUTEX UP-200/15

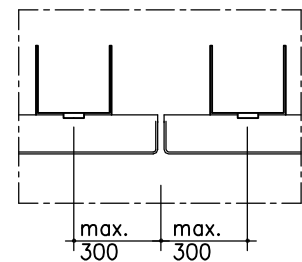


Ventilation perforation (according to order)  
 Type I,  $\phi 3.5$  mm, c/c 6.25 mm =  $4616 \text{ mm}^2/\text{m}$   
 Type II, 5x7 mm, c/c 13 mm =  $2279 \text{ mm}^2/\text{m}$

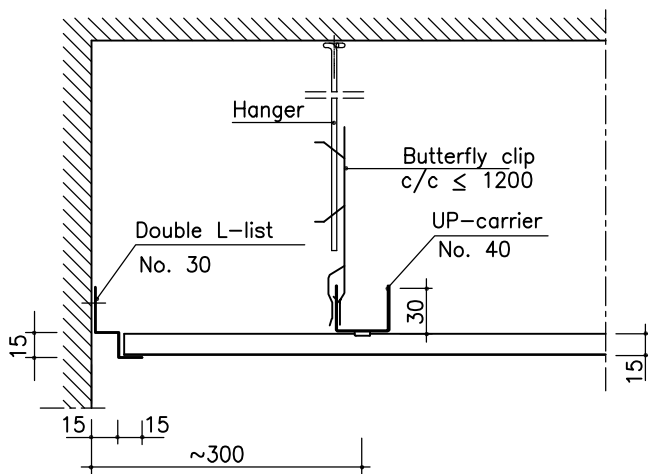
- ① = UP; unperforated without acoustic inlay
- ② = UPR; perforated
- ③ = UPRT; perforated and acoustic inlay

### B - B

End bendings  
by order



### A - A



STRUCTURAL DETAILS SEE LEAFLET 6.1

### STANDARD UP-200/15 PANEL

Material	0.7 mm Al
Width	200 mm
Height	15 mm
Length	1250–6500 mm
Perforation	$\phi 2.0$ mm
Inlay	acoustic felt
Finish	stove enamelled

### OTHER ALTERNATIVES

Material	0.5 mm Fe
Length	<1250 mm
Perforation	$\phi 3.5$ mm (see leaflet 6.2)
Inlay	mineral wool in plastic
Finish	e.g. high gloss anodized (Al)
Other special solutions	Please contact our technical information department.

All products are subject to modifications without prior notice.

2001



# OY LAUTEX AB

P.O. Box 58 FIN-03101 Nummela Finland  
 Tel +358 (0)9 224 8810 Fax +358 (0)9 222 5447  
 E-mail: sales@lautex.com www.lautex.com

