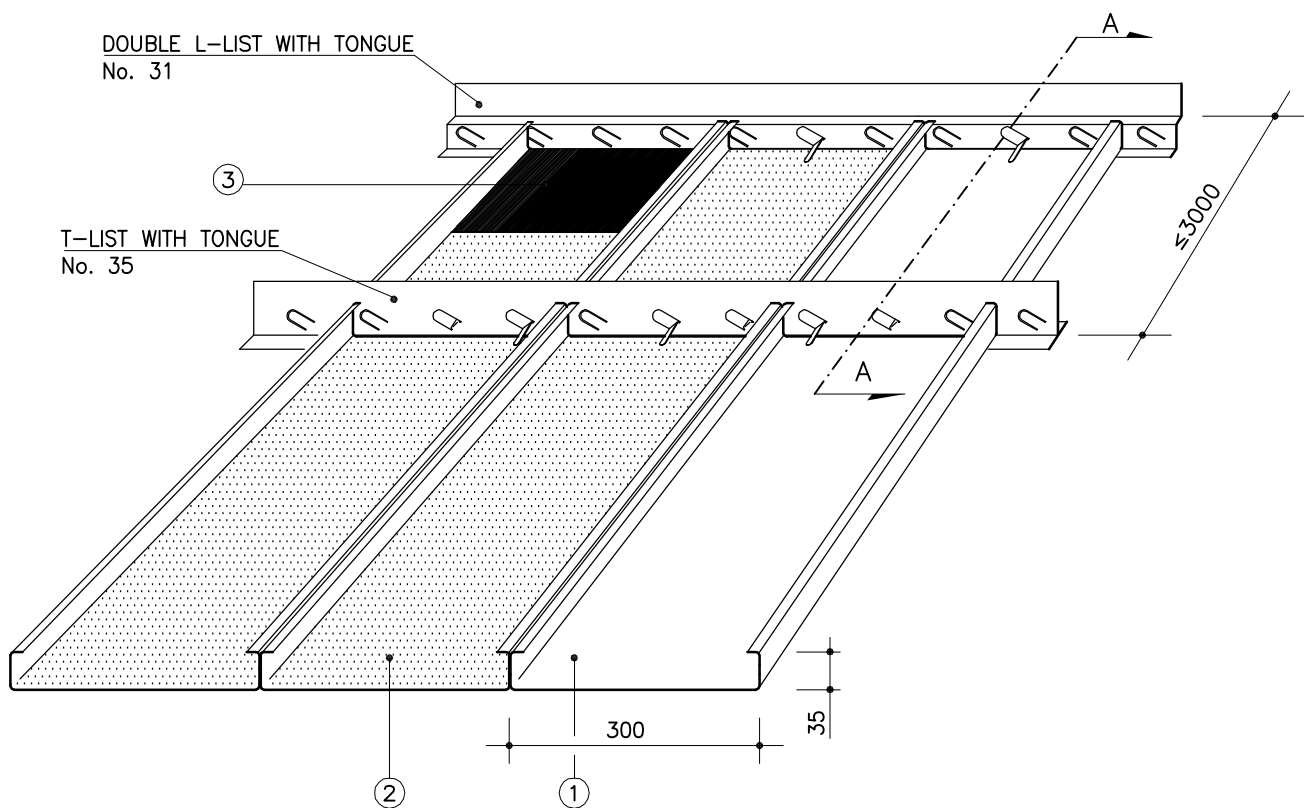
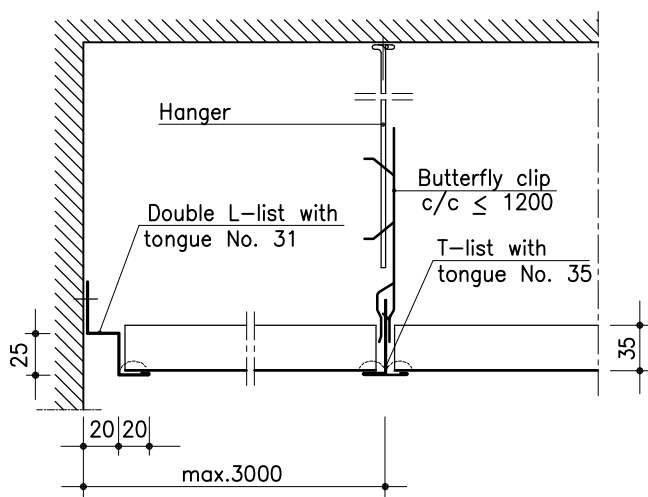


2.6 PANEL LAUTEX T-300



- ① = T; unperforated without acoustic inlay
- ② = TR; perforation on the bottom
- ③ = TRT; perforated, acoustical felt

A - A



STANDARD T-300 PANEL

| | |
|-------------|-----------------|
| Material | 0.7 mm Al |
| Width | 300 mm |
| Height | 35 |
| Length | 1250-3000 mm |
| Perforation | Ø 2.0 mm |
| Inlay | acoustic felt |
| Finish | stove enamelled |

OTHER ALTERNATIVES

| | |
|-------------------------|---|
| Material | 0.6 mm Fe |
| Width | - |
| Height | - |
| Length | <1250 mm |
| Perforation | Ø 3.5 mm |
| Inlay | Wool in plastic |
| Finish | High gloss anodized (Al) |
| Other special solutions | Please, contact our technical information department. |

STRUCTURAL DETAILS SEE LEAFLET 6.1

All products are subject to modifications without prior notice.
2001



OY LAUTEX AB

P.O. Box 58 FIN-03101 Nummela Finland
Tel +358 (0)9 224 8810 Fax +358 (0)9 222 5447
E-mail: sales@lautex.com www.lautex.com

