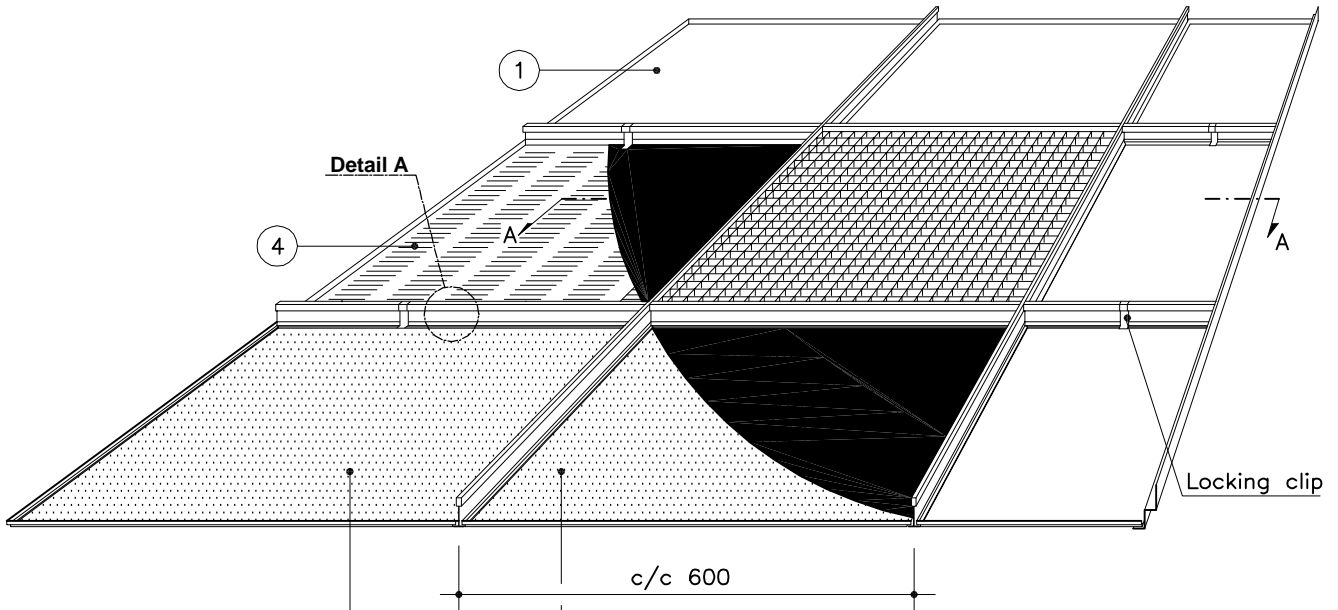


# 4.1 CASSETTE LAUTEX SM-600

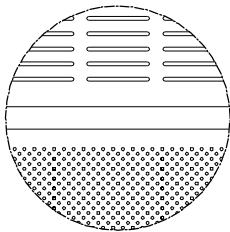


- ① = SM; no perforation, no inlay
- ② = SMR; perforated
- ③ = SMRT; perforated and acoustic felt
- ④ = SMRT; stripe perforation and acoustic felt

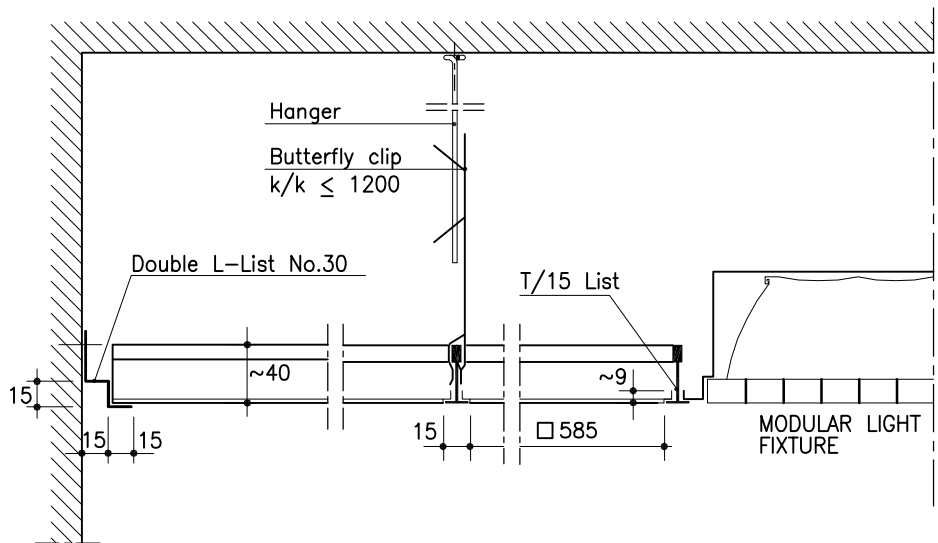
Detail A

A - A

Stripe perforation 2.5x40  
(not standard)



Standard perforation  
ø2.0/15%



**STANDARD SM- CASSETTE**

Material	0.7 mm Al
Modular size	600 x 600 mm
Perforation	ø2.0 mm
Inlay	acoustic felt
Finish	stove enamelled

**OTHER ALTERNATIVES**

Material	0.5 mm coated Fe
Modular size	-
Perforation	ø3.5 mm 2.5 x 40 stripe perforation
Inlay	-
Finish	High gloss anodized (Al)
Other special solutions	Please contact our technical information department.

STRUCTURAL DETAILS SEE LEAFLET 6.1

All products are subject to modifications without prior notice.  
2001



**OY LAUTEX AB**

P.O. Box 58 FIN-03101 Nummela Finland  
Tel +358 (0)9 224 8810 Fax +358 (0)9 222 5447  
E-mail: sales@lautex.com www.lautex.com

