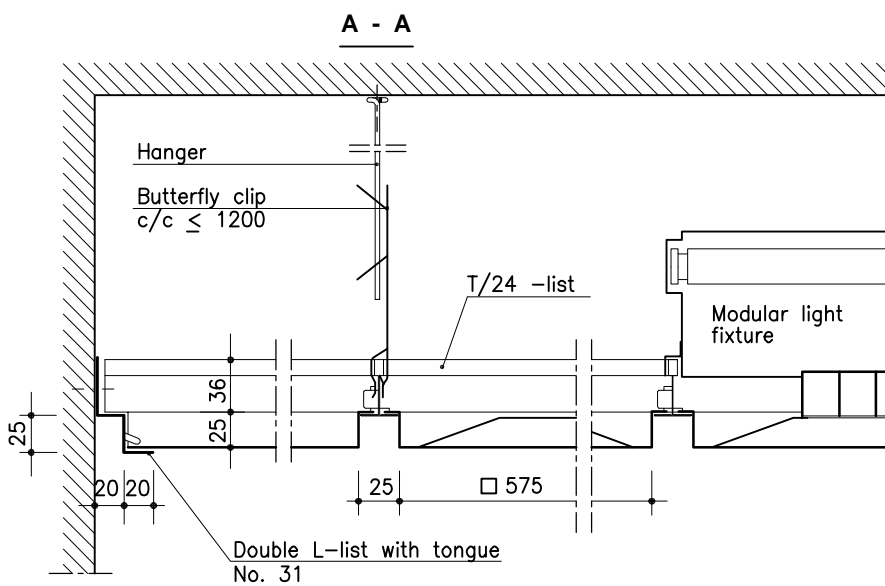
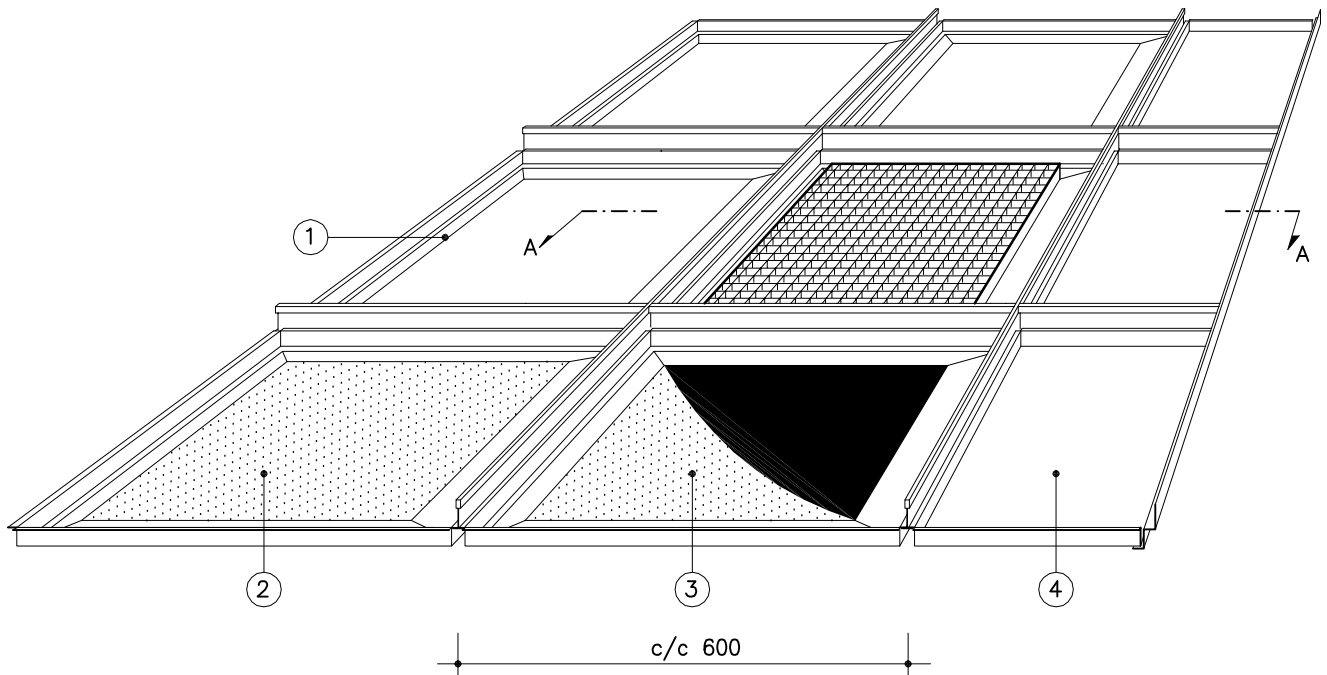
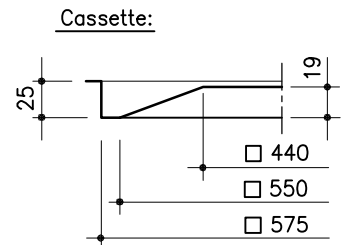


4.4 CASSETTE LAUTEX RM-600



- ① = RM; unperforated, no inlay
- ② = RMR; perforated
- ③ = RMRT; perforated and acoustic felt
- ④ = NM-600; flat fitting cassette (Al)



STANDARD RM- CASSETTE

Material	0.5 mm Al
Modular size	600 X 600 mm
Height	25 mm
Perforation	ø3.5 mm
Inlay	acoustic felt or min. wool in plastic
Finish	stove enamelled
Fitting cassette	NM-600 (Al)
Special solution	Please contact our technical information department.

STRUCTURAL DETAILS SEE LEAFLET 6.1

All products are subject to modifications without prior notice.
2001



OY LAUTEX AB

P.O. Box 58 FIN-03101 Nummela Finland
Tel +358 (0)9 224 8810 Fax +358 (0)9 222 5447
E-mail: sales@lautex.com www.lautex.com

