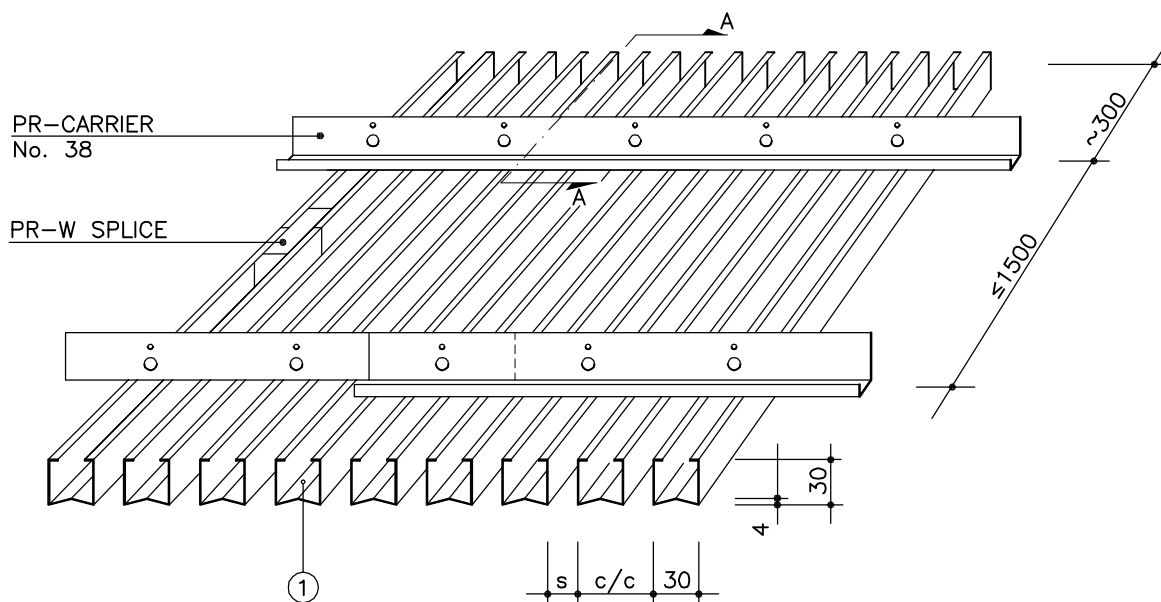
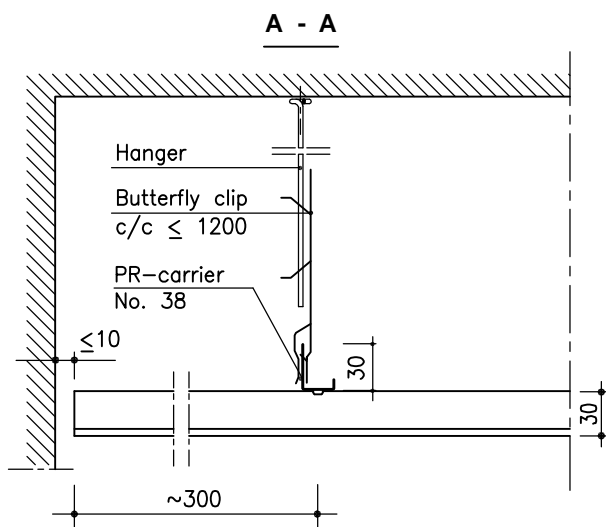


3.8 PROFILE LAUTEX PR-W



① = PR-W; unperforated without acoustic inlay



STANDARD PR-W PROFILE

Material	0.4 mm Al
Width	30
Height	30
Length	1250-6500 mm
Air gap s	20 mm
Perforation	-
Inlay	-
Finish	stove enamelled

OTHER ALTERNATIVES

Material	-
Width	-
Height	-
Length	<1250 mm
Air gap s	according the order and >10 mm
Perforation	∅ 2.0 mm at the sides
Inlay	wool in plastic/acoustic felt
Finish	stove enamelled
Other special solutions	Please, contact our technical information department.

STRUCTURAL DETAILS SEE LEAFLET 6.1

All products are subject to modifications without prior notice.
2001



OY LAUTEX AB

P.O. Box 58 FIN-03101 Nummela Finland
Tel +358 (0)9 224 8810 Fax +358 (0)9 222 5447
E-mail: sales@lautex.com www.lautex.com

