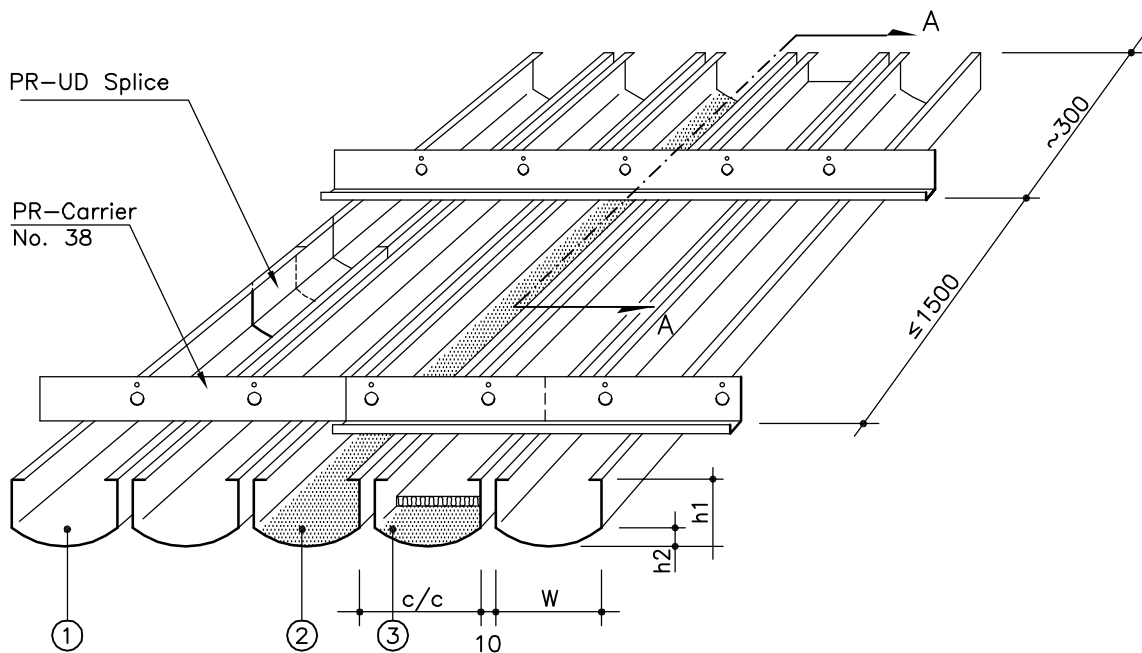
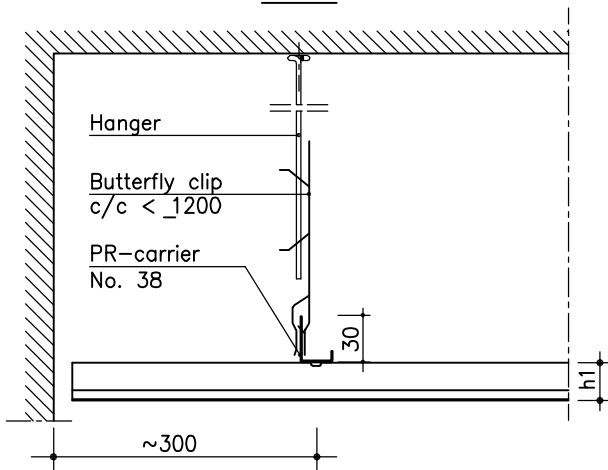


3.12 PROFILE LAUTEX PR-UD

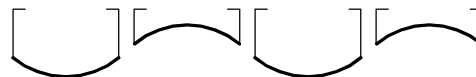


A - A



- ① = PR-UD; unperforated without acoustic inlay
- ③ = PR-UDR; perforated without acoustic inlay
- ④ = PR-UDRT; perforated with acoustic inlay

COMBINATION CEILING PR-UC / PR-UD:



By combining profiles PR-UD and PR-UC, it is possible to create an elegant curved ceiling.

PROFILE PR-UD

Profile sizes	h1 mm	W mm	h2 mm	length max. mm	material
32x70x32	32	70	12	4000	0.5 Al
35x110x35	35	110	20	4000	0.7 Al
40x200x40	40	200	23	4000	0.7 Al
by choice		max. 300		max. 4000	0.7 Al
Perforation	ø2.0 mm, other alternatives, please contact our technical information department				
Air space	standard 10 mm also according to order but min. 10 mm				
Inlay	min. wool in plastic				
Finish	stove enamelled high gloss anodized				
Other special solutions	please contact our technical information department				

STRUCTURAL DETAILS SEE LEAFLET 6.1

All products are subject to modifications without prior notice.
2001



OY LAUTEX AB

P.O. Box 58 FIN-03101 Nummela Finland
Tel +358 (0)9 224 8810 Fax +358 (0)9 222 5447
E-mail: sales@lautex.com www.lautex.com

