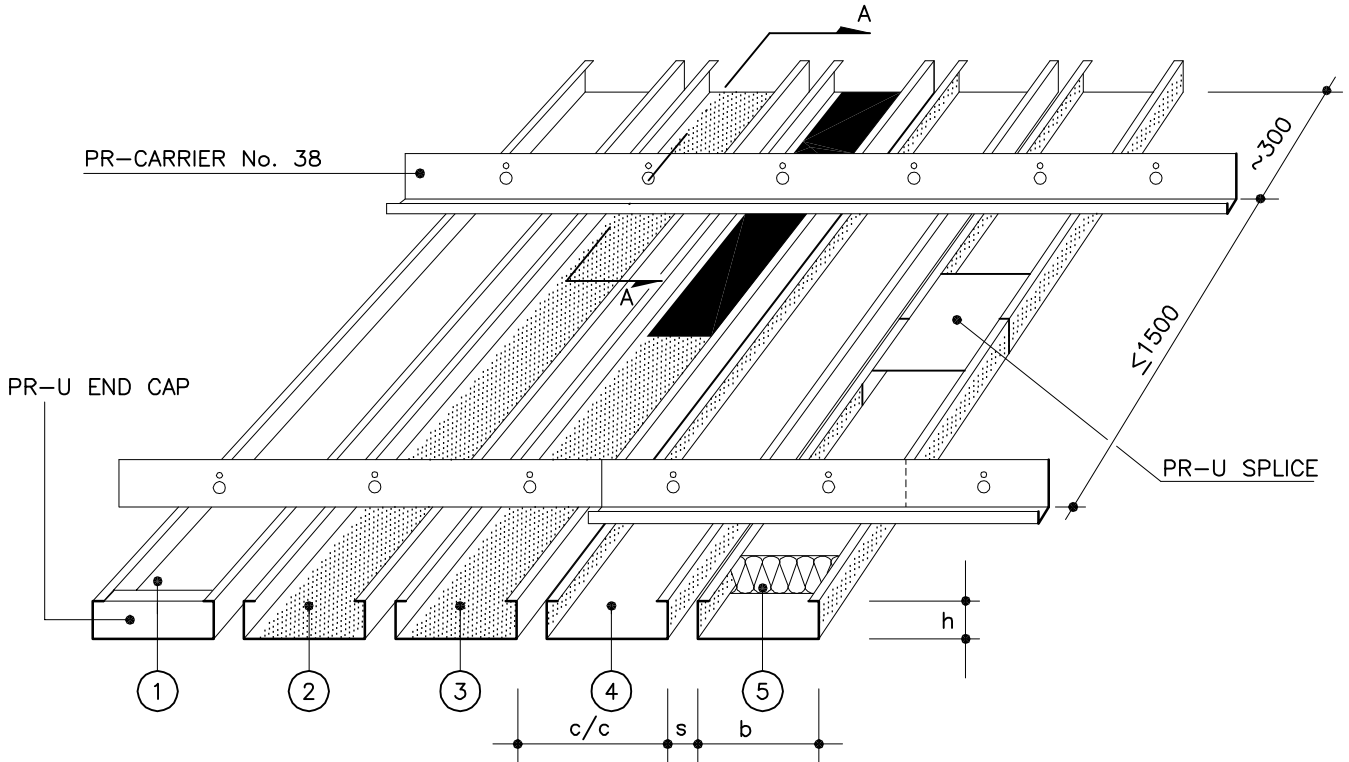
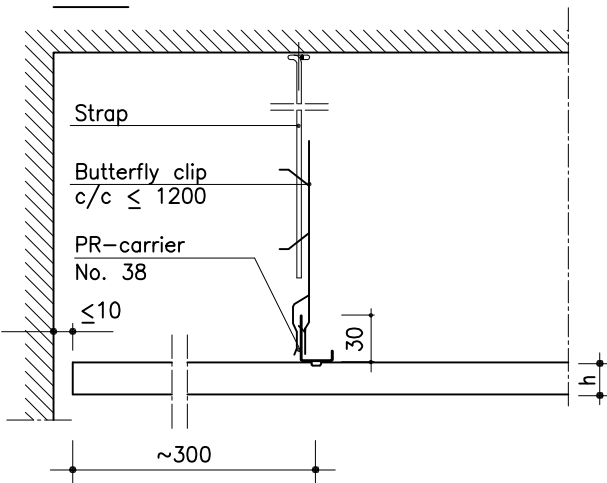


# 3.1 PROFILE LAUTEX PR-U



A - A



- ① = PR-U; unperforated without acoustic inlay
- ② = PR-UR; perforated from the bottom when width >60 mm
- ③ = PR-URT; perforated with acoustic inlay >60 mm
- ④ = PR-UR; perforated from the sides when width <60 mm
- ⑤ = PR-URT; perforated from the sides and wool in plastic  
If color is LTX-101 standard white, the standard inlay is acoustic felt

## STANDARD PR-U-PROFILE

Material	Al	0.5 mm				0.7 mm	
Width b, mm	30	40	50	60	80	100	180
Height h, mm	40	35	30	25	25	20	25
Length	1250-6500 mm						
Air space s	20 mm						
Perforation							
- width <60 mm	ø2.0 mm at the sides						
- width 60-100 mm	ø1.1 mm at the bottom						
- width 180 mm	ø2.0 mm at the bottom						
Inlay							
- width ≥60 mm	acoustic felt						
- width <60 mm	wool in plastic If the color is LTX-101 standard white, standard inlay will be acoustic felt.						
Finish	stove enamelling						

## SPECIAL PR-U-PROFILE

Material	0.7 Al, 0.5 Fe, 0.5 Al						
Width b, mm	30	40	50	60	80	100	180
Height h, mm	40	35	30	25	25	20	25
Length	<1250 mm						
Air space s	20 mm						
Perforation	ø2.0 mm at the sides or bottom						
Inlay	wool in plastic						
Finish	plastic coating (Fe) high gloss anodized (Al)						
PR-list for diagonal mounting (45°)	Will be used with profiles of width of ≥50 mm. Air space according to order but ≥10 mm.						
Other special solutions	Please, contact our technical information department.						

STRUCTURAL DETAILS SEE LEAFLET 6.1

All products are subject to modifications without prior notice.  
2001



## OY LAUTEX AB

P.O. Box 58 FIN-03101 Nummela Finland  
Tel +358 (0)9 224 8810 Fax +358 (0)9 222 5447  
E-mail: sales@lautex.com www.lautex.com

