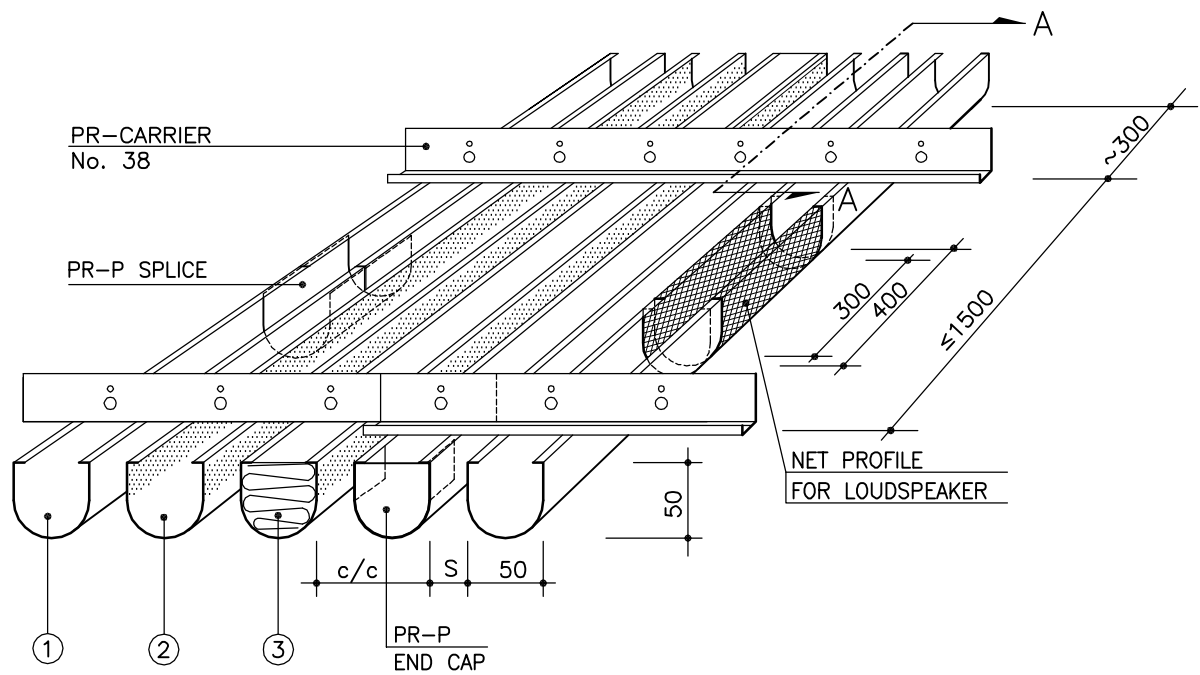
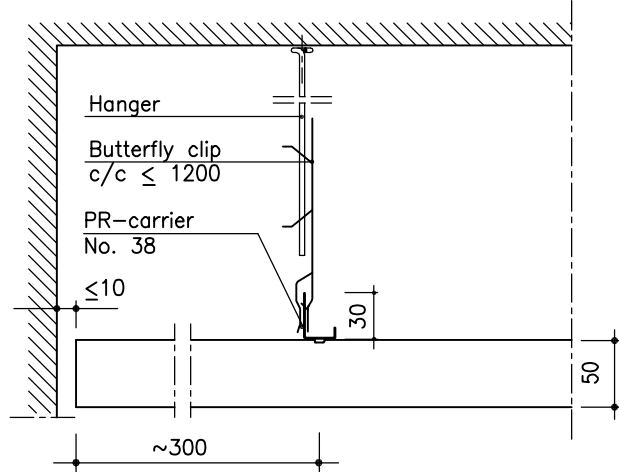


3.3 PROFILE LAUTEX PR-P



A - A



- ① = PR-P; unperforated without inlay
- ② = PR-PR; perforation at the sides
- ③ = PR-PRT; side perforation with wool in plastic
If color is LTX-standard white, standard inlay will be acoustic felt.

STANDARD PR-P -PROFILE

Material	0.5 mm Al
Width	50 mm
Height h	50 mm
Length	1250-6500 mm
Air gap s	20 and 25 mm
Perforation	∅ 2.0 mm at the sides
Inlay	wool in plastic If the color is LTX-standard white, standard inlay will be acoustic felt.
Finish	stove enamelled

SPECIAL PR-P -PROFILE

Material	-
Width	-
Height	-
Length	<1250 mm
Air gap s	according to order, except ≥10 mm
Perforation	∅ 1.1/2.0 mm entire surface
Inlay	acoustic felt
Finish	high gloss anodized (Al)
Other special solutions	Please, contact our technical information department.

STRUCTURAL DETAILS SEE LEAFLET 6.1

All products are subject to modifications without prior notice.

2001



OY LAUTEX AB

P.O. Box 58 FIN-03101 Nummela Finland
Tel +358 (0)9 224 8810 Fax +358 (0)9 222 5447
E-mail: sales@lautex.com www.lautex.com

