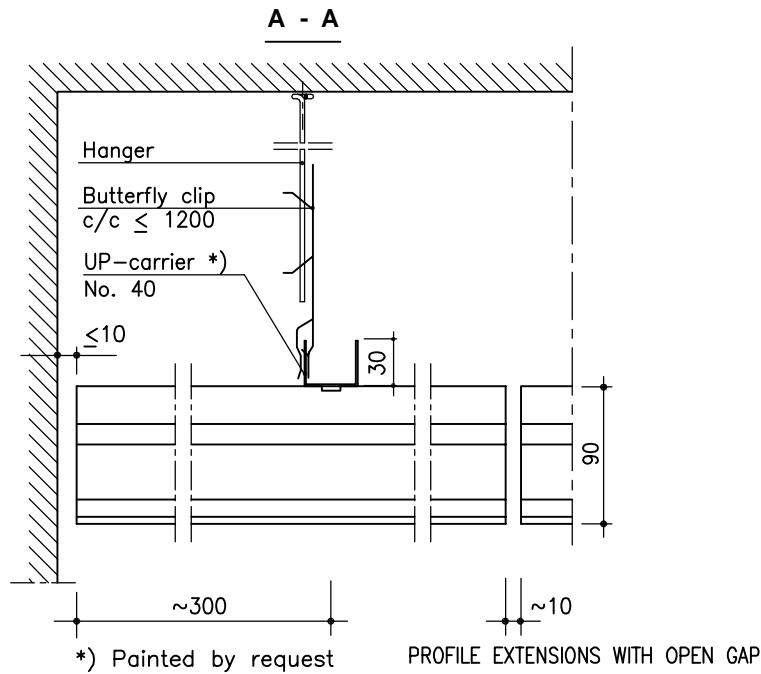
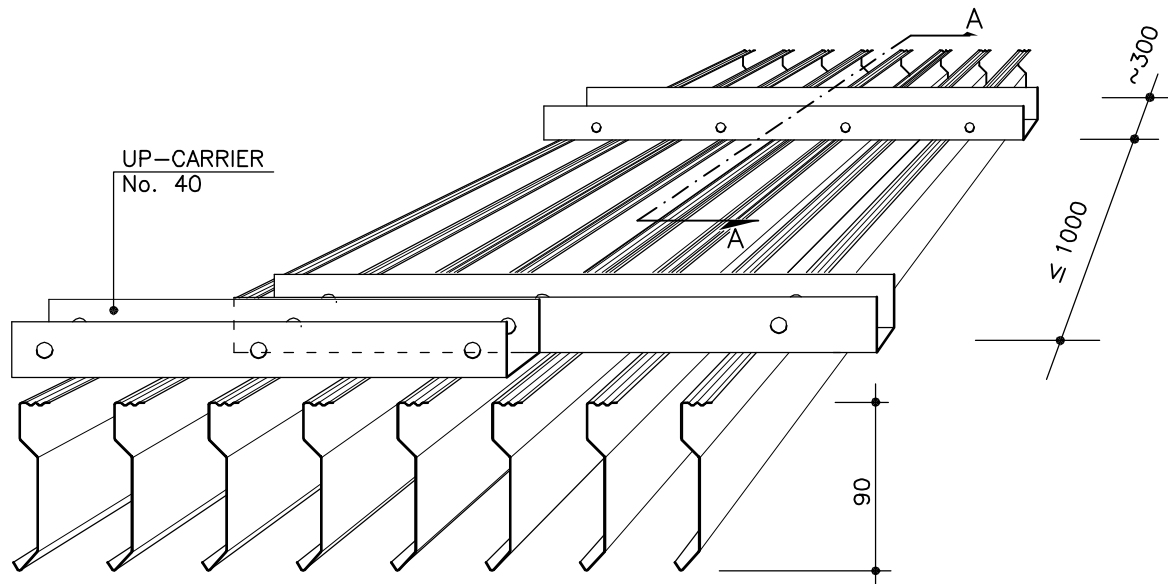


3.9 PROFILE LAUTEX PR-J



STANDARD PR-J PROFILE

Material	0.5 mm Al
Width	-
Height	90 mm
Length	1250-6500 mm
Air gap	50, 100, 150 mm etc.
Perforation	-
Inlay	-
Finish	stove enamelled
Special solutions please, contact technical information department.	

STRUCTURAL DETAILS SEE LEAFLET 6.1

All products are subject to modifications without prior notice.
2001



OY LAUTEX AB

P.O. Box 58 FIN-03101 Nummela Finland
Tel +358 (0)9 224 8810 Fax +358 (0)9 222 5447
E-mail: sales@lautex.com www.lautex.com

