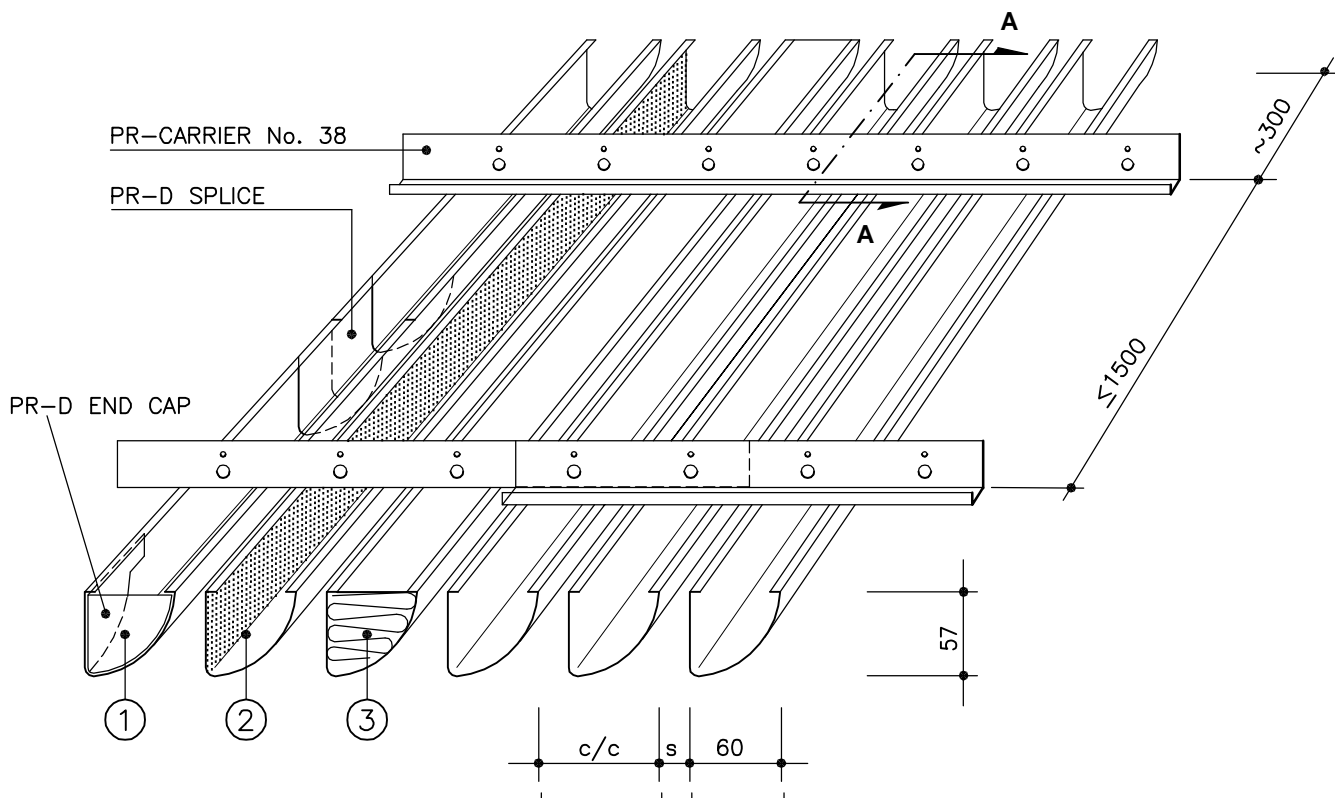
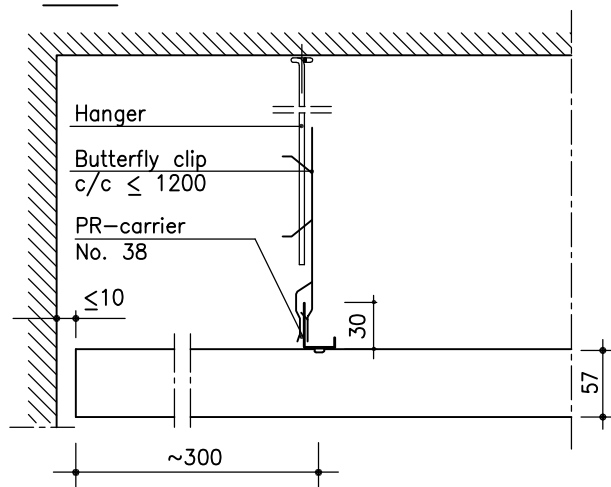


### 3.4 PROFILE LAUTEX PR-D



**A - A**



- ① = PR-D; unperforated without inlay
- ② = PR-DR; perforated straight side
- ③ = PR-DRT; perforated straight side and wool in plastic  
If color is LTX-std. white, std. inlay is acoustic felt.

**STANDARD PR-D PROFILE**

Material	0.5 mm Al
Width	60
Height	57
Length	1250-3000 mm
Air gap s	20 mm
Perforation	∅ 2.0 mm
Inlay	wool in plastic If color is LTX-std. white, std. inlay will be acoustic felt.
Finish	stove enamelled

**SPECIAL PR-D PROFILE**

Material	-
Width	-
Height	-
Length	<1250 mm
Air gap s	according to order, min. ≥10 mm
Perforation	∅ 1.1/2.0 mm entire surface
Inlay	acoustic felt/min. wool in plastic
Finish	-
Other special solutions	Please, contact our technical information department.

STRUCTURAL DETAILS SEE LEAFLET 6.1

All products are subject to modifications without prior notice.  
2001



**OY LAUTEX AB**

P.O. Box 58 FIN-03101 Nummela Finland  
Tel +358 (0)9 224 8810 Fax +358 (0)9 222 5447  
E-mail: sales@lautex.com www.lautex.com

