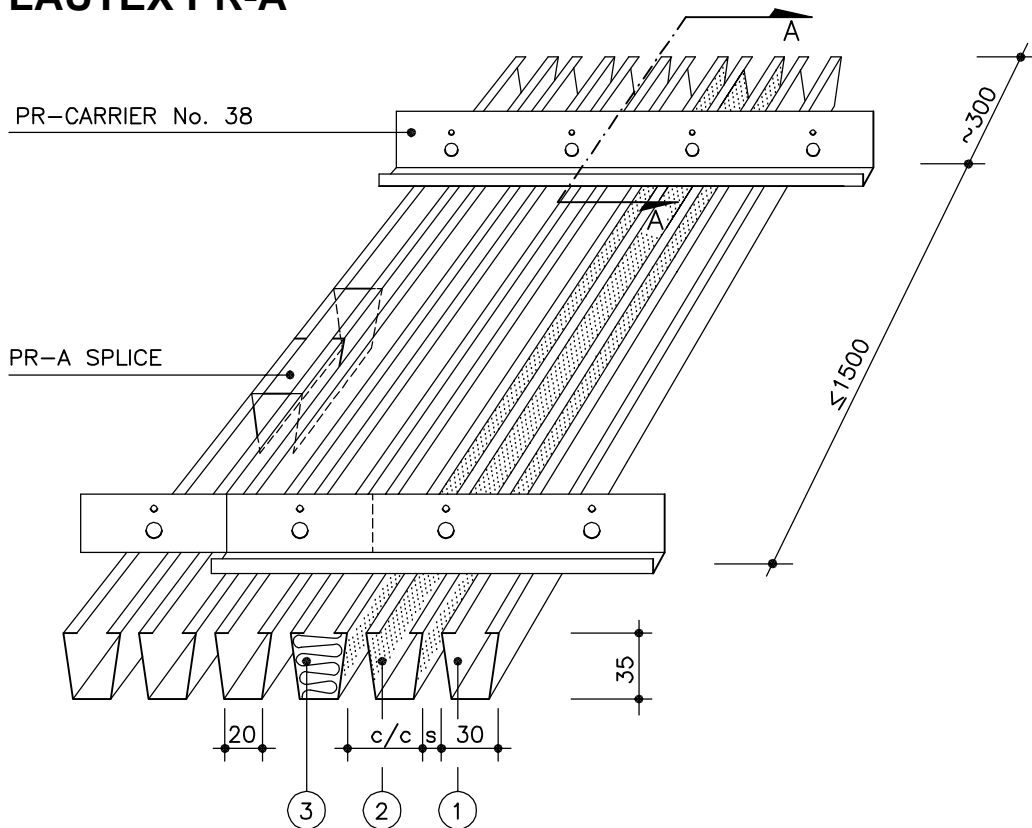
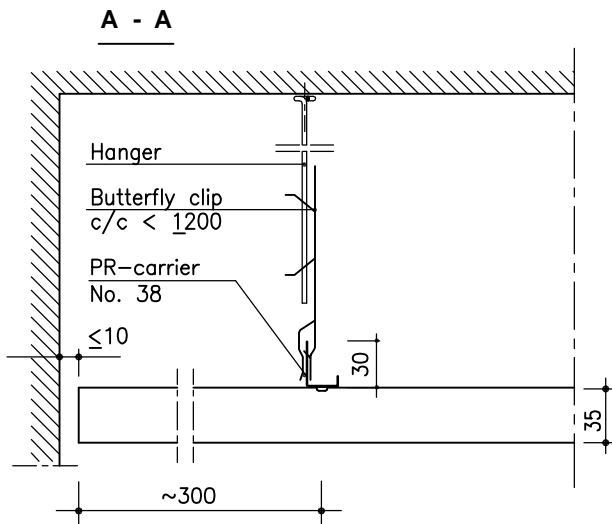


### 3.6 PROFILE LAUTEX PR-A



- ① = PR-A; unperforated without acoustic inlay
- ② = PR-A; perforation at the sides
- ③ = PR-ART; perforation at the sides and wool in plastic.

If color is LTX-101 standard white,  
standard inlay will be acoustic felt.



#### STANDARD PR-A PROFILE

Material	0.4 mm Al
Width	30
Height	35
Length	1250-6500 mm
Air gap s	20 mm
Perforation	Ø2 mm at the sides
Inlay	wool in plastic If color is LTX-std. white, std. inlay will be acoustic felt.
Finish	stove enamelled

#### SPECIAL PR-A PROFILE

Material	-
Width	-
Height	-
Length	<1250 mm
Air gap s	according to order, min. 10 mm
Perforation	-
Inlay	-
Finish	high gloss anodized (Al)
Other special solutions	Please, contact our technical information department.

STRUCTURAL DETAILS SEE LEAFLET 6.1

All products are subject to modifications without prior notice.  
2001



**OY LAUTEX AB**

P.O. Box 58 FIN-03101 Nummela Finland  
Tel +358 (0)9 224 8810 Fax +358 (0)9 222 5447  
E-mail: sales@lautex.com www.lautex.com

