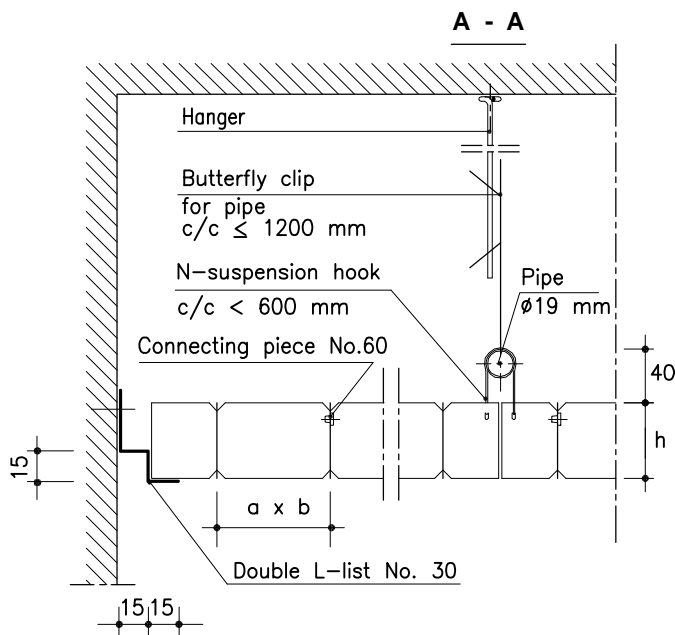
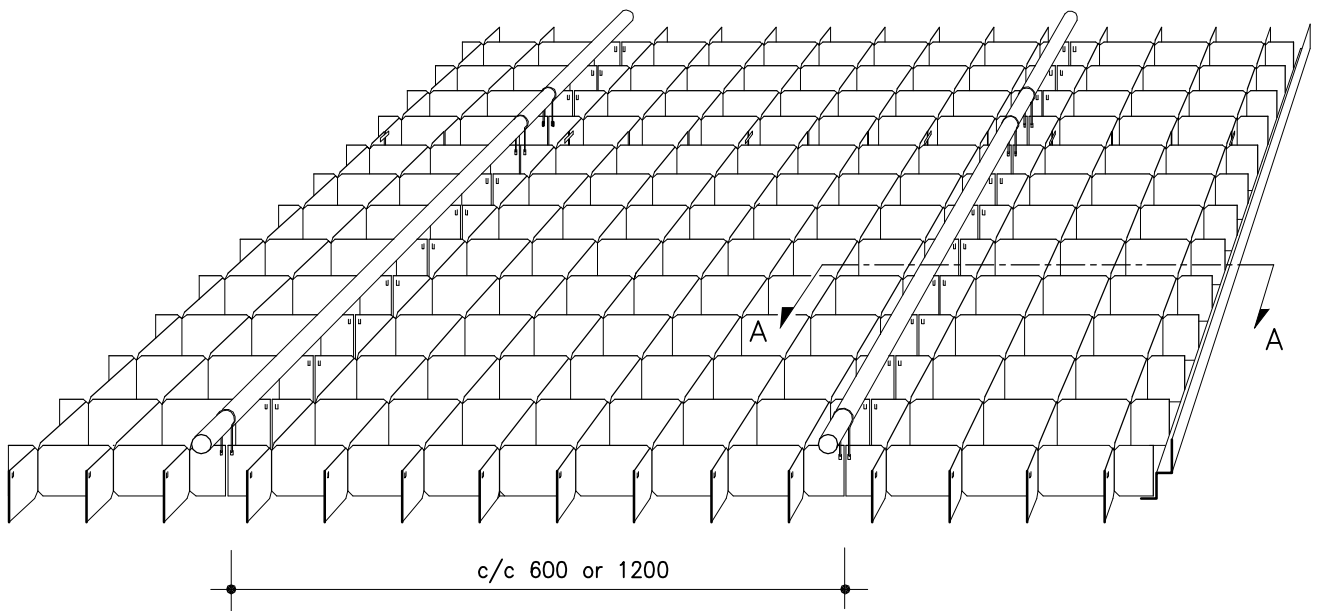


5.4 GRATING LAUTEX NX



STANDARD NX- GRATING

Material	0.7 mm Al								
Element size	600 x 600 or 600 x 1200 mm								
Height h, mm	25	35	50	75	100				
Cell size a x b, mm	25	37.5	50	75	50	75	100	75	100
Finish	stove enamelled								

OTHER ALTERNATIVES

Material	—
Element size	dependent on cell size
Height	—
Cell size a x b	25–100 mm Element size divided by cell size must go even.
Other special solutions	Please contact our technical information department.

STRUCTURAL DETAILS SEE LEAFLET 6.1

All products are subject to changes without prior notice.

2001



OY LAUTEX AB

P.O. Box 58 FIN-03101 Nummela Finland
Tel +358 (0)9 224 8810 Fax +358 (0)9 222 5447
E-mail: sales@lautex.com www.lautex.com

