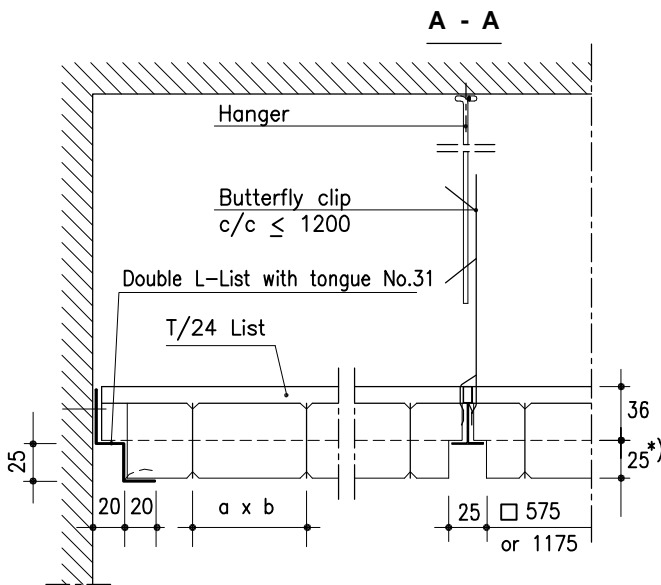
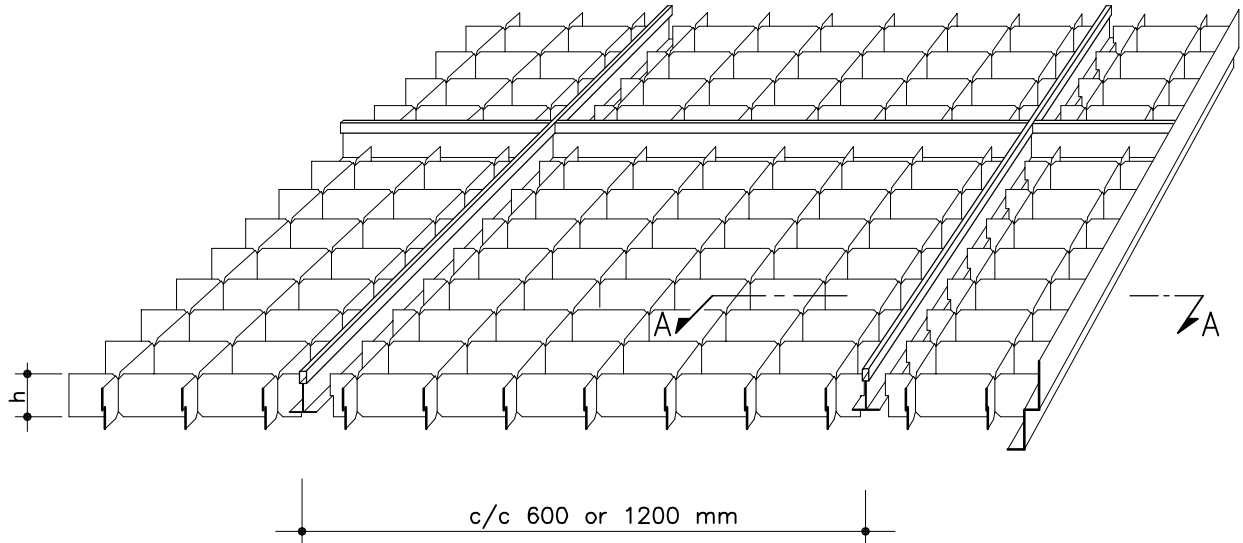


5.2 GRATING LAUTEX NX-MODULE



STANDARD NXM- GRATING

Material	0.7 mm Al					
Module size	600 x 600 or 600 x 1200 mm					
Height h	25	35	50	75	100	
Grid size a x b	25	37.5	50	75	100	100
Finish	stove enamelled					

*) when module height is 25 mm, the depth of the groove is 15 mm

OTHER ALTERNATIVES

Material	–
Module size	dependable of the square size of the cell
– length	600...2200 mm
– width	150...600 mm
Height h	–
Grid size a x b	by choice, 25–100 mm must fit into element size
Other special solutions	Please contact our technical information department.

STRUCTURAL DETAILS SEE LEAFLET 6.1

All products are subject to modifications without prior notice
2001



OY LAUTEX AB

P.O. Box 58 FIN-03101 Nummela Finland
Tel +358 (0)9 224 8810 Fax +358 (0)9 222 5447
E-mail: sales@lautex.com www.lautex.com

