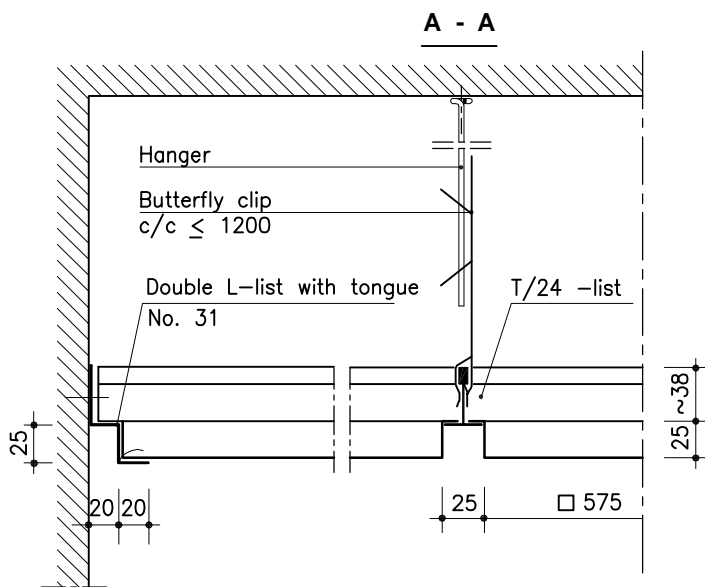
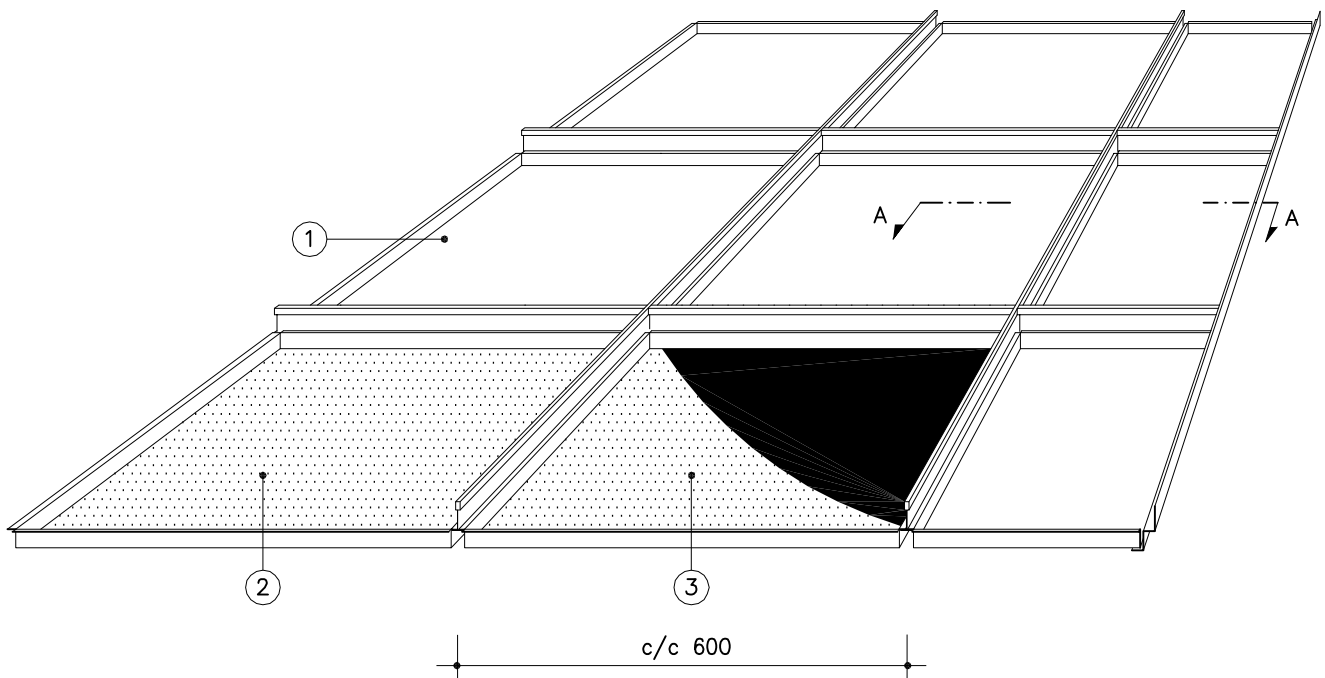


4.2 CASSETTE LAUTEX NM-600



- ① = NM; unperforated, no inlay
- ② = NMR; perforated
- ③ = NMRT; perforation and acoustic felt

STANDARD NM- CASSETTE

Material	0.7 mm Al
Modular size	600 x 600 mm
Height	25 mm
Perforation	∅2.0 mm
Inlay	acoustic felt
Finish	stove enamelled

OTHER ALTERNATIVES

Material	0.5 mm Fe
Modular size	-
Height	10 mm
Perforation	∅3.5 mm
Inlay	min. wool in plastic
Finish	high gloss anodized (Al)
Other special solutions	Please contact our technical information department

STRUCTURAL DETAILS SEE LEAFLET 6.1

All products are subject to modifications without prior notice.
2001



OY LAUTEX AB

P.O. Box 58 FIN-03101 Nummela Finland
Tel +358 (0)9 224 8810 Fax +358 (0)9 222 5447
E-mail: sales@lautex.com www.lautex.com

