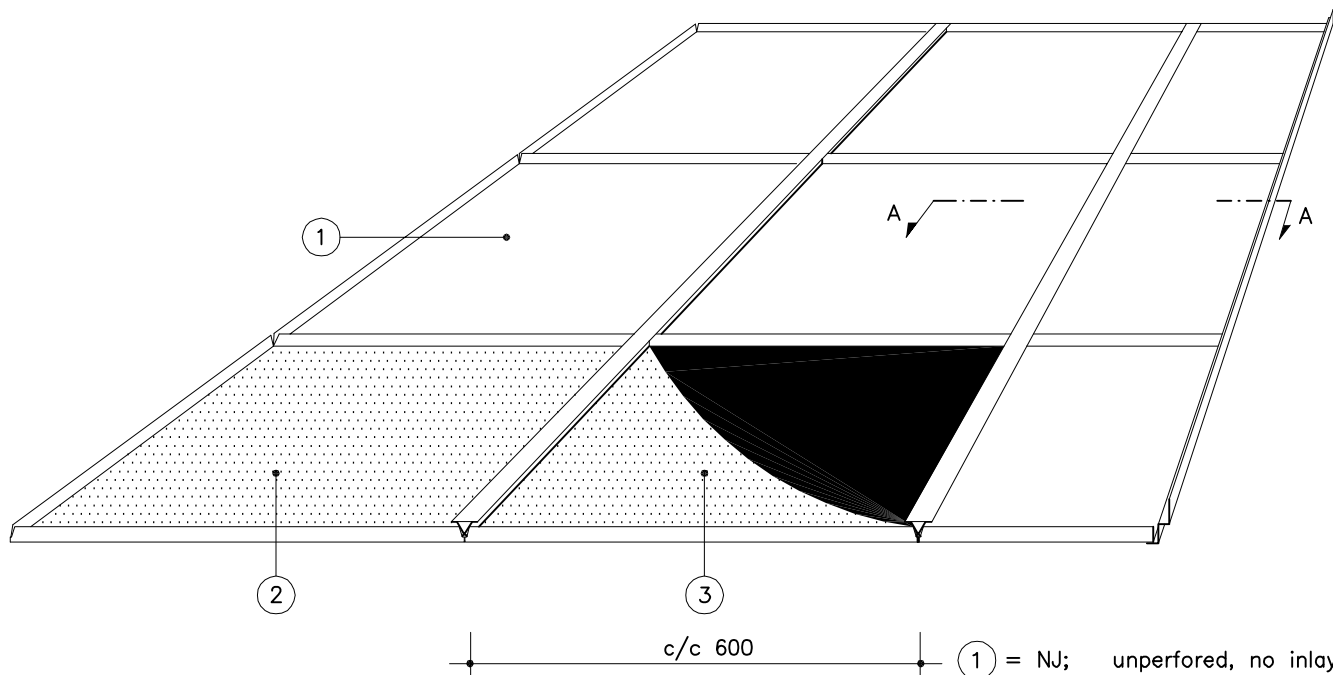
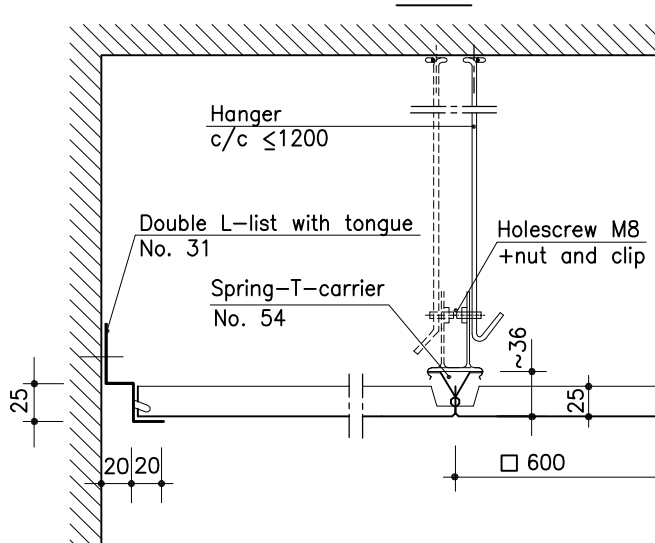


# 4.6 CASSETTE LAUTEX NJ-600

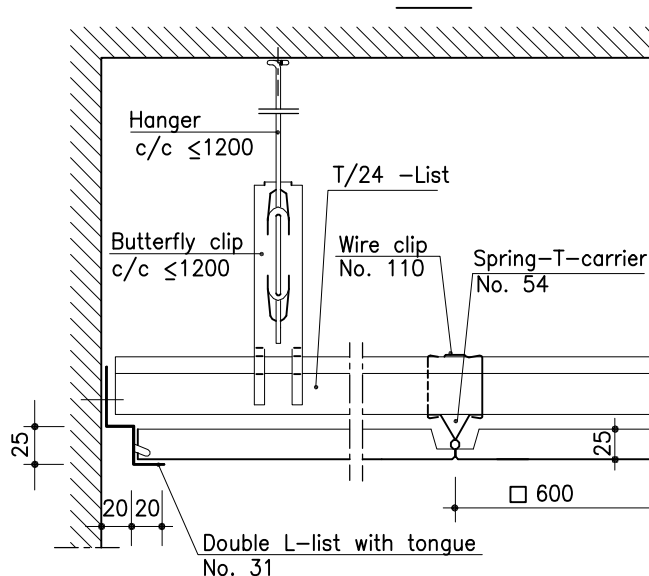


- ① = NJ; unperforated, no inlay
- ② = NJR; perforated
- ③ = NJRT; perforated and acoustic felt or mineral wool in plastic

ALTERNATIVE 1 A - A



ALTERNATIVE 2 A - A



**STANDARD NJ-CASSETTE**

Material	0.7 mm Al
Module size	600 x 600 mm
Height	25 mm
Perforation	∅2.0 mm
Inlay	acoustic felt
Finish	stove enamelling

**SPECIAL NJ-CASSETTE**

Material	0.7 mm Al
Module size	500 x 500
Height	-
Perforation	∅3.5 mm
Inlay	wool in plastic
Finish	high gloss anodized (Al)
Other special solutions	Please contact our technical information department.

STRUCTURAL DETAILS SEE LEAFLET 6.1

All products are subject to modifications without prior notice.  
2001



**OY LAUTEX AB**

P.O. Box 58 FIN-03101 Nummela Finland  
Tel +358 (0)9 224 8810 Fax +358 (0)9 222 5447  
E-mail: sales@lautex.com www.lautex.com

