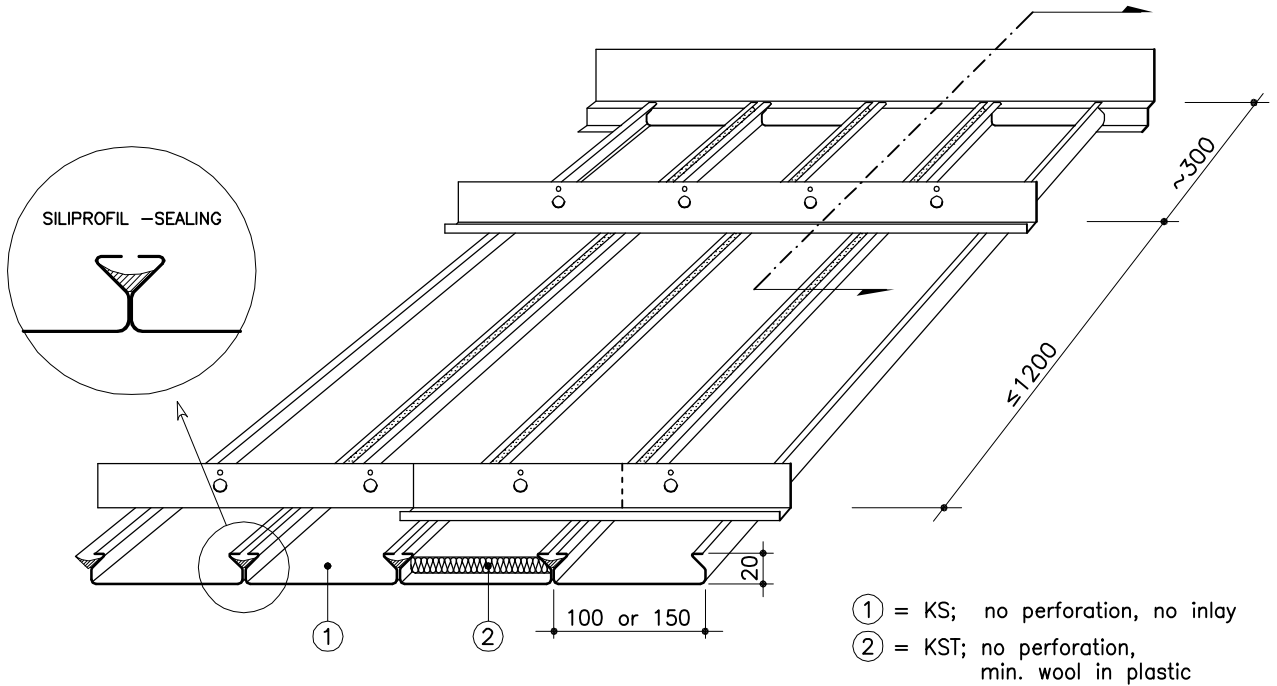
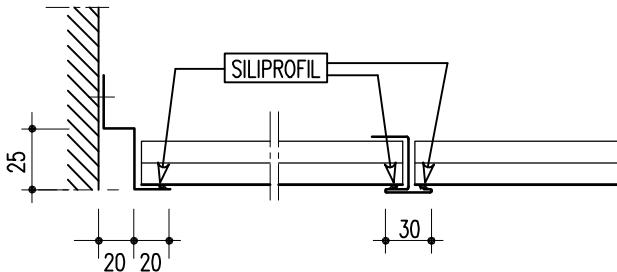


2.21 PANEL LAUTEX KS-100 JA -150 SILIPROFIL



INSTALLATION ALT. 1, DUSTPROOF CEILING



The ceiling can be made dustproof or washproof with SILIPROFIL-sealing. These kind of ceilings are used in:

- kitchens
- hospitals
- food industry
- electronics industry
- other high hygienic spaces

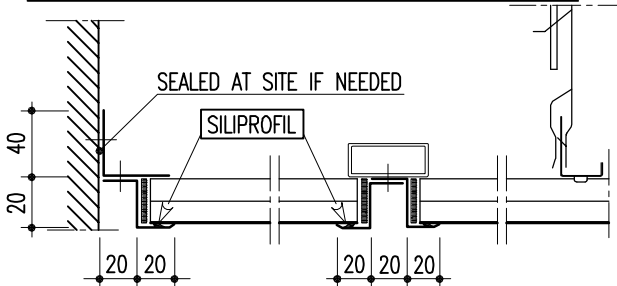
DEFINITION EXAMPLE FOR DUSTPROOF CEILING:

LAUTEX KS-150 SILIPROFIL DUSTPROOF
 - 0,5 mm Al, colour: LTX-101
 - lists and connection seams according to INSTALLATION ALT. 1

DEFINITION EXAMPLE FOR WASHPROOF CEILING:

LAUTEX KS-150 SILIPROFIL WASHPROOF
 - 0,7 mm Al, colour: LTX-101
 - lists and connection seams according to INSTALLATION ALT. 2

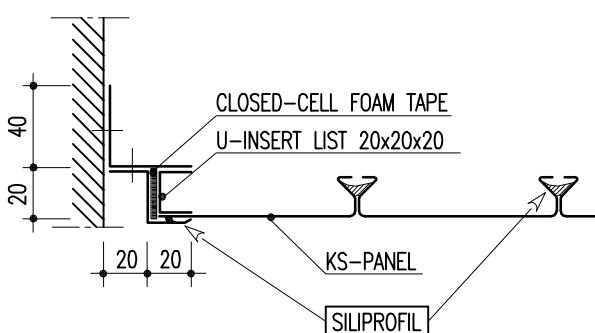
INSTALLATION ALT. 2, WASHPROOF CEILING



LAUTEX KS-100 AND -150 SILIPROFIL PANEL

Material	0,5 mm Al tai 0,7 mm Al	INSTALLATION ALT. 1 INSTALLATION ALT. 2
Width	100 and 150 mm	
Height	20 mm	
Length	1250 - 6500 mm	
Perforation	In special cases (see leaflet 6.2)	
Inlay	Min. wool in plastic	
Finish	Stove enamelled or plastic coated (Fe)	
SILIPROFIL	Sticked on panels and lists	
Closed-cell foam tape	Sticked on Z-lists (INSTALLATION ALT. 2)	
Inlet (see front page)	Size \square 1600 x 600 and \emptyset according to choice	
Lists (choose)	INSTALLATION ALT. 1 Dustproof ceiling INSTALLATION ALT. 2 Washproof ceiling	
Screws	Stainless steel (INSTALLATION ALT. 2)	
Other special solutions	Please contact our technical information department.	

INSTALLATION OF A CUT PANEL INSTALLATION ALT. 1 AND 2



All products are subject to modifications without prior notice.

2001



OY LAUTEX AB

P.O. Box 58 FIN-03101 Nummela Finland
 Tel +358 (0)9 224 8810 Fax +358 (0)9 222 5447
 E-mail: sales@lautex.com www.lautex.com

