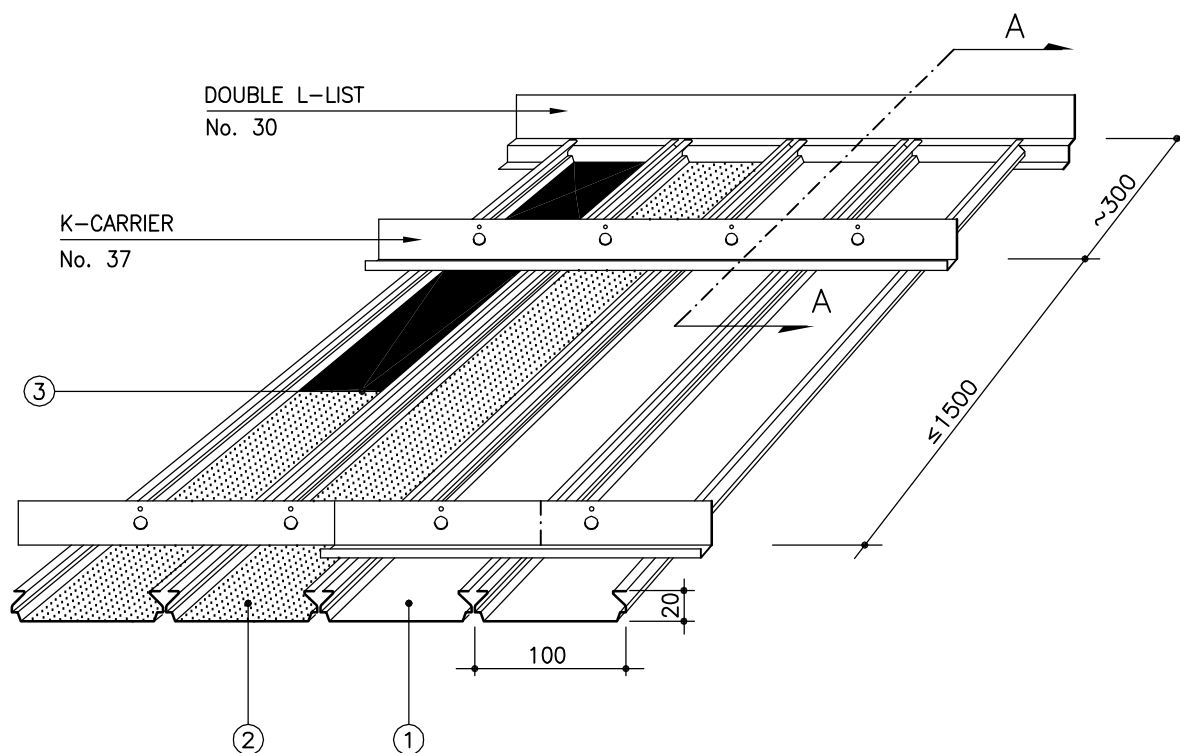
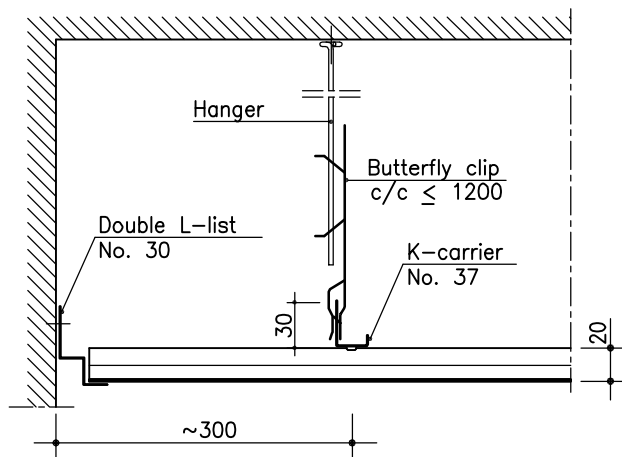


2.2.2 PANEL LAUTEX KM-100



- ① = KM; unperforated, without acoustic inlay
- ② = KMR; perforated
- ③ = KMRT; perforated and acoustic inlay



STANDARD KM-PANEL

Material	0.5 mm Al
Width	100 mm
Height	20 mm
Length	1250–6500 mm
Perforation	Ø2.0 mm
Inlay	acoustical felt
Finish	stove enamelling

OTHER ALTERNATIVES

Length	<1250 mm
Perforation	Ø1.1 mm or Ø3.5 mm (see leaflet 6.2)
Inlay	mineral wool in plastic
Finish	e.g. high gloss anodized (Al)
Other special solutions	Please contact our technical information department

STRUCTURAL DETAILS SEE LEAFLET 6.1

All products are subject to modifications without prior notice.
2001



OY LAUTEX AB

P.O. Box 58 FIN-03101 Nummela Finland
Tel +358 (0)9 224 8810 Fax +358 (0)9 222 5447
E-mail: sales@lautex.com www.lautex.com

