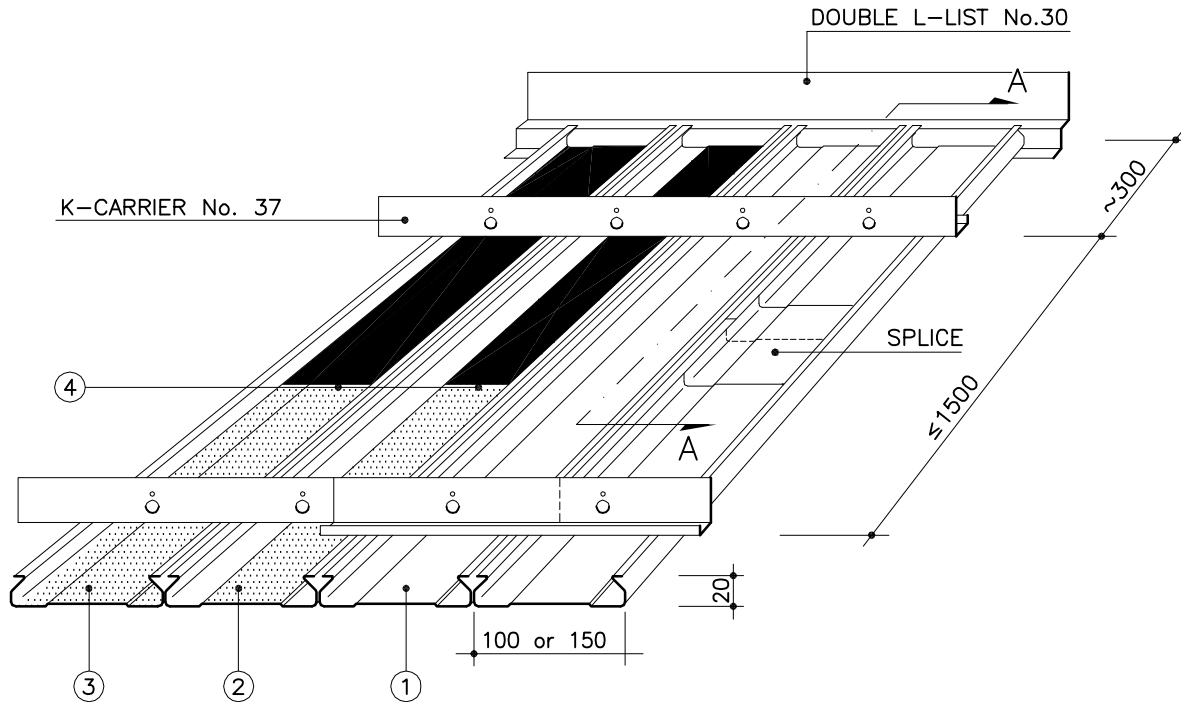
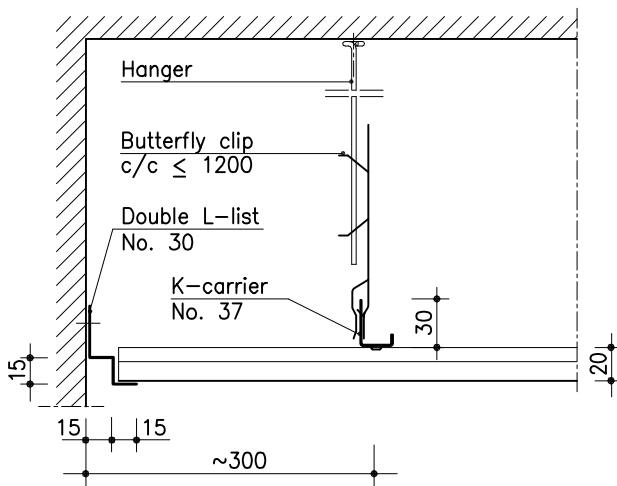


2.1 PANEL LAUTEX KF-100 AND -150



- ① = KF; unperforated without acoustic inlay
- ② = KFR; perforation in the middle area
- ③ = KFR; perforation on the whole bottom (not standard)
- ④ = KFRT; perforated and acoustic felt

A - A



STRUCTURAL DETAILS SEE LEAFLET 6.1

STANDARD KF-PANEL

| | |
|-------------|------------------|
| Material | 0.5 mm Al |
| Width | 100 and 150 mm |
| Height | 20 mm |
| Length | 1250-6500 mm |
| Perforation | ∅2.0 middle area |
| Inlay | acoustic felt |
| Finish | stove enamelled |

OTHER ALTERNATIVES

| | |
|-------------------------|---|
| Material | 0.7 mm Al or 0.5 mm Fe |
| Length | <1250 mm |
| Perforation | ∅1.1 mm or ∅3.5 mm |
| Inlay | mineral wool in plastic |
| Finish | for example, high gloss anodized (Al) |
| Other special solutions | please contact our technical information department |

All products are subject to modifications without prior notice

2001



OY LAUTEX AB

P.O. Box 58 FIN-03101 Nummela Finland
 Tel +358 (0)9 224 8810 Fax +358 (0)9 222 5447
 E-mail: sales@lautex.com www.lautex.com

