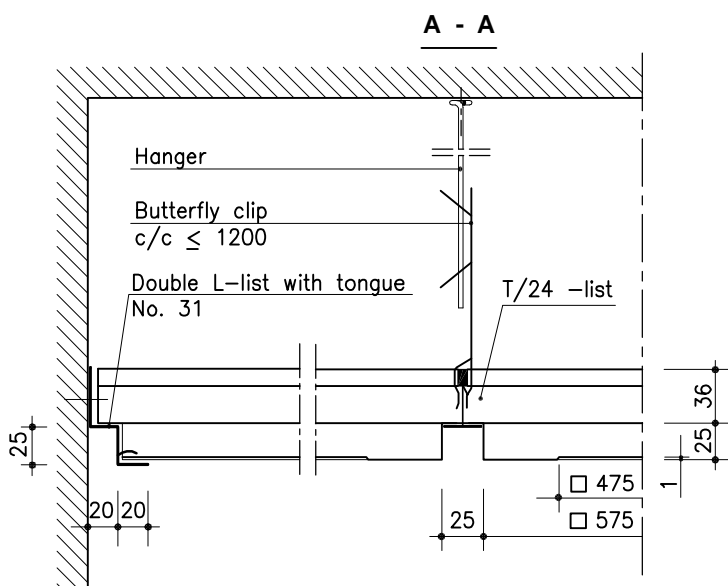
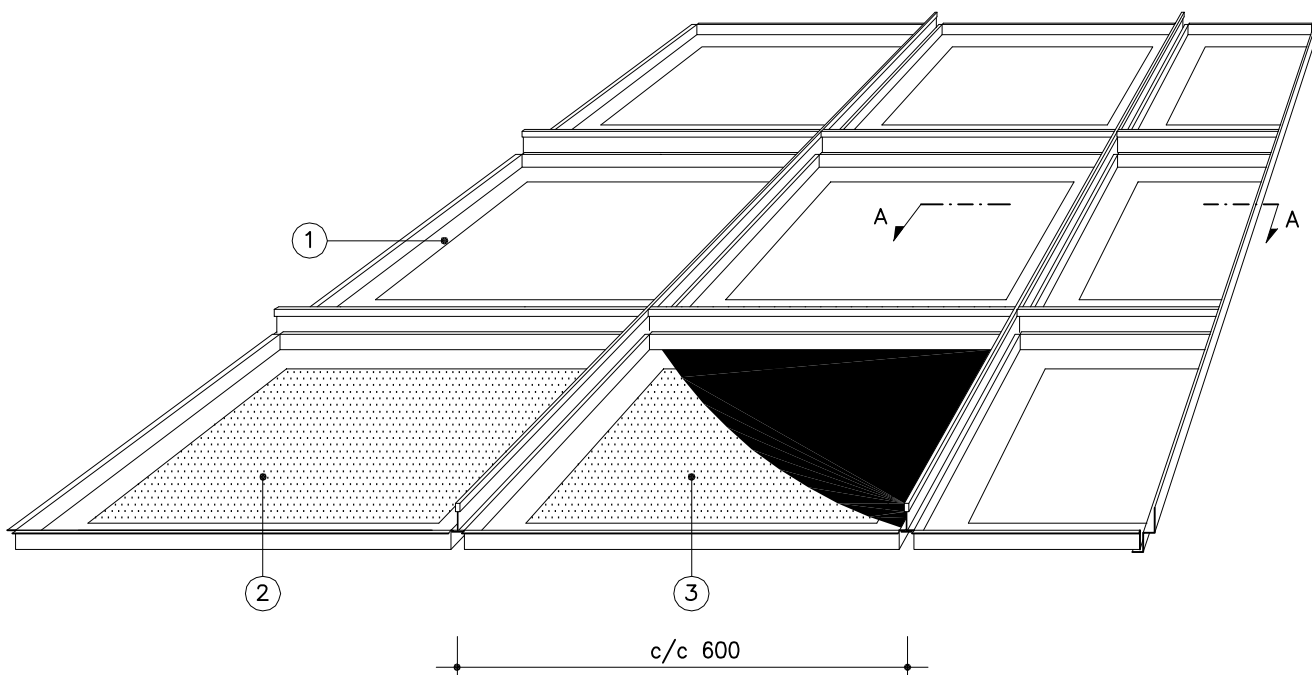


## 4.3 CASSETTE LAUTEX FM-600



- ① = FM; unperforated, no inlay
- ② = FMR; perforated
- ③ = FMRT; perforation and acoustic felt

### STANDARD FM- CASSETTE

Material	0.7 mm Al
Modular size	600 x 600 mm
Height	25 mm
Perforation	∅2.0 mm
Inlay	acoustic felt
Finish	stove enamelled

### OTHER ALTERNATIVES

Material	—
Modular size	—
Height	—
Perforation	∅3.5 mm
Inlay	min. wool in plastic
Finish	high gloss anodized (Al)
Other special solutions	Please contact our technical information department

STRUCTURAL DETAILS SEE LEAFLET 6.1

All products are subject to modifications without prior notice.  
2001



# OY LAUTEX AB

P.O. Box 58 FIN-03101 Nummela Finland  
Tel +358 (0)9 224 8810 Fax +358 (0)9 222 5447  
E-mail: sales@lautex.com www.lautex.com

