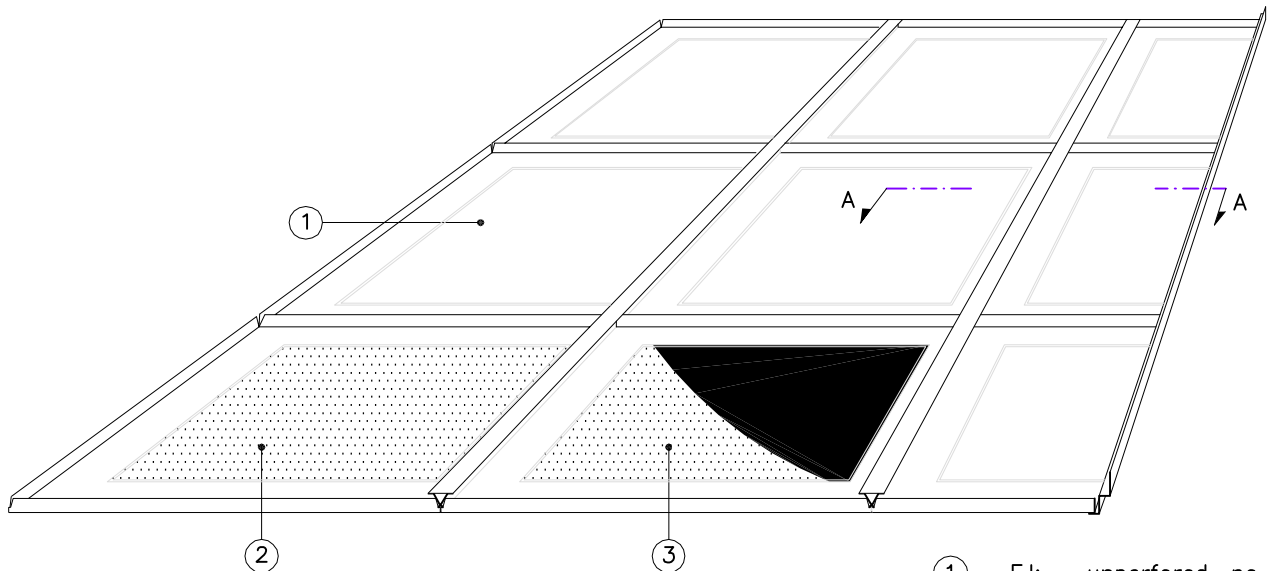


4.7 CASSETTE LAUTEX FJ-600

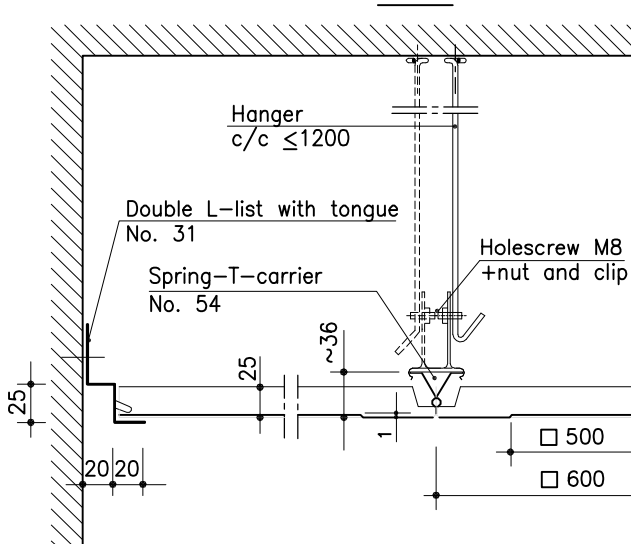


- ① = FJ; unperforated, no inlay
- ② = FJR; perforated
- ③ = FJRT; perforated and acoustic felt

c/c 600

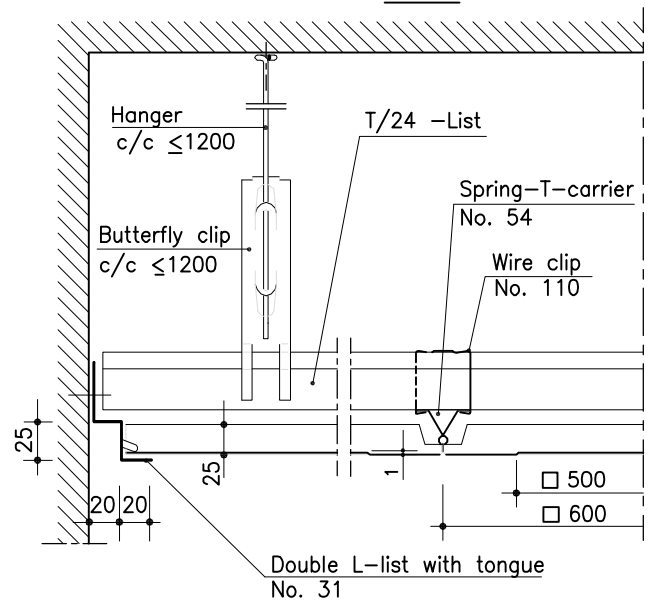
ALTERNATIVE 1

A - A



ALTERNATIVE 2

A - A



STANDARD FJ-CASSETTE

Material	0.7 mm Al
Module size	600 x 600 mm
Height	25 mm
Perforation	∅2.0 mm
Inlay	acoustic felt
Finish	stove enamelling

SPECIAL FJ-CASSETTE

Material	-
Module size	-
Height	-
Perforation	∅3.5 mm
Inlay	wool in plastic
Finish	high gloss anodized (Al)
Other special solutions	Please contact our technical information department.

STRUCTURAL DETAILS SEE LEAFLET 6.1

All products are subject to modifications without prior notice.
2001



OY LAUTEX AB

P.O. Box 58 FIN-03101 Nummela Finland
Tel +358 (0)9 224 8810 Fax +358 (0)9 222 5447
E-mail: sales@lautex.com www.lautex.com

