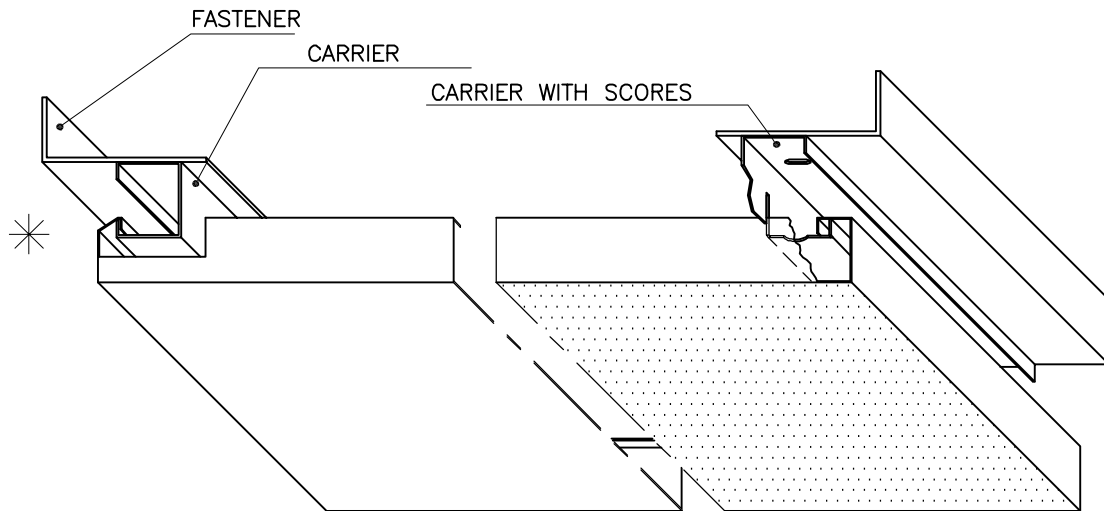
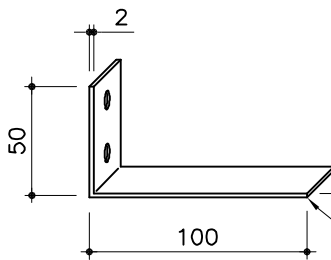


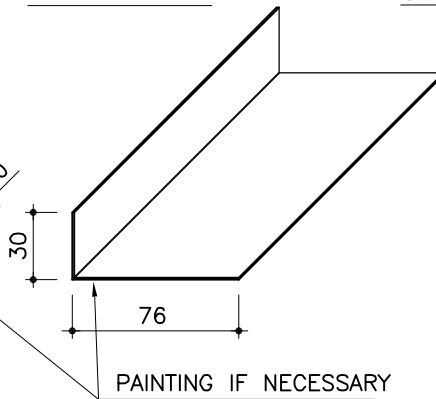
# 4.10 CORRIDOR CASSETTE LAUTEX



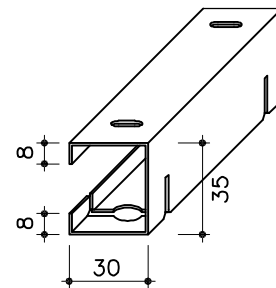
FASTENER TYPE 2



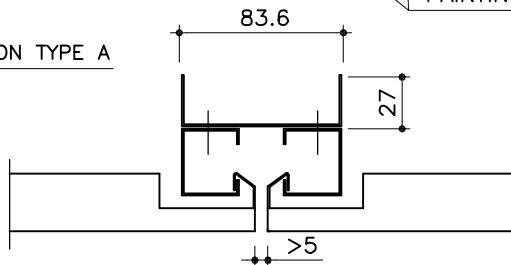
FASTENER TYPE 1



CARRIER WITH SCORES



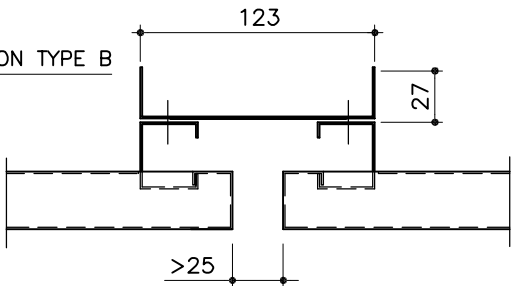
CONNECTION TYPE A



STANDARD CASSETTE

Material	0.6 mm Fe
Width	600 mm
Height	30 mm
Length	1000-2000 mm
Perforation	∅ 2.0 mm / 15%
Inlay	acoustic felt
Finish	stove enamelled according to LTX-colour card or any other well-known colour charts

CONNECTION TYPE B



SPECIAL CASSETTE

Material	0.7 / 0.85 mm Al
Width	300-675 mm
Length	<1000 mm
Perforation	∅ 3.5 mm
Other special solutions	Please contact our technical information department
* Using carrier with scores in both ends of the cassette improves assembling of the technical devices.	

All products are subject to modifications without prior notice  
2001



**OY LAUTEX AB**

P.O. Box 58 FIN-03101 Nummela Finland  
Tel +358 (0)9 224 8810 Fax +358 (0)9 222 5447  
E-mail: sales@lautex.com www.lautex.com

